

LM64K837

Large Size Graphic Type LCD Module
(FA/POS/Measuring instruments)

Features

- 24 cm [9.4"] VGA format
- Transflective B/W display
- Thin structure (7.0 mm) & lightweight (340 g)
- Mechanically compatible with LM64183P

Specifications

Parameter		Unit
Display size	24 [9.4]	cm ["]
Dot format (H x V)	640 x 480	dot
Dot pitch (H x V)	0.30 x 0.30	mm
Active area (H x V)	192.0 x 144.0	mm
Panel type	DFSTN	-
Panel mode	Transflective	-
Color	B/W	-
Contrast ratio	10 : 1/10 : 1*1	-
Response time	- [500]	ms

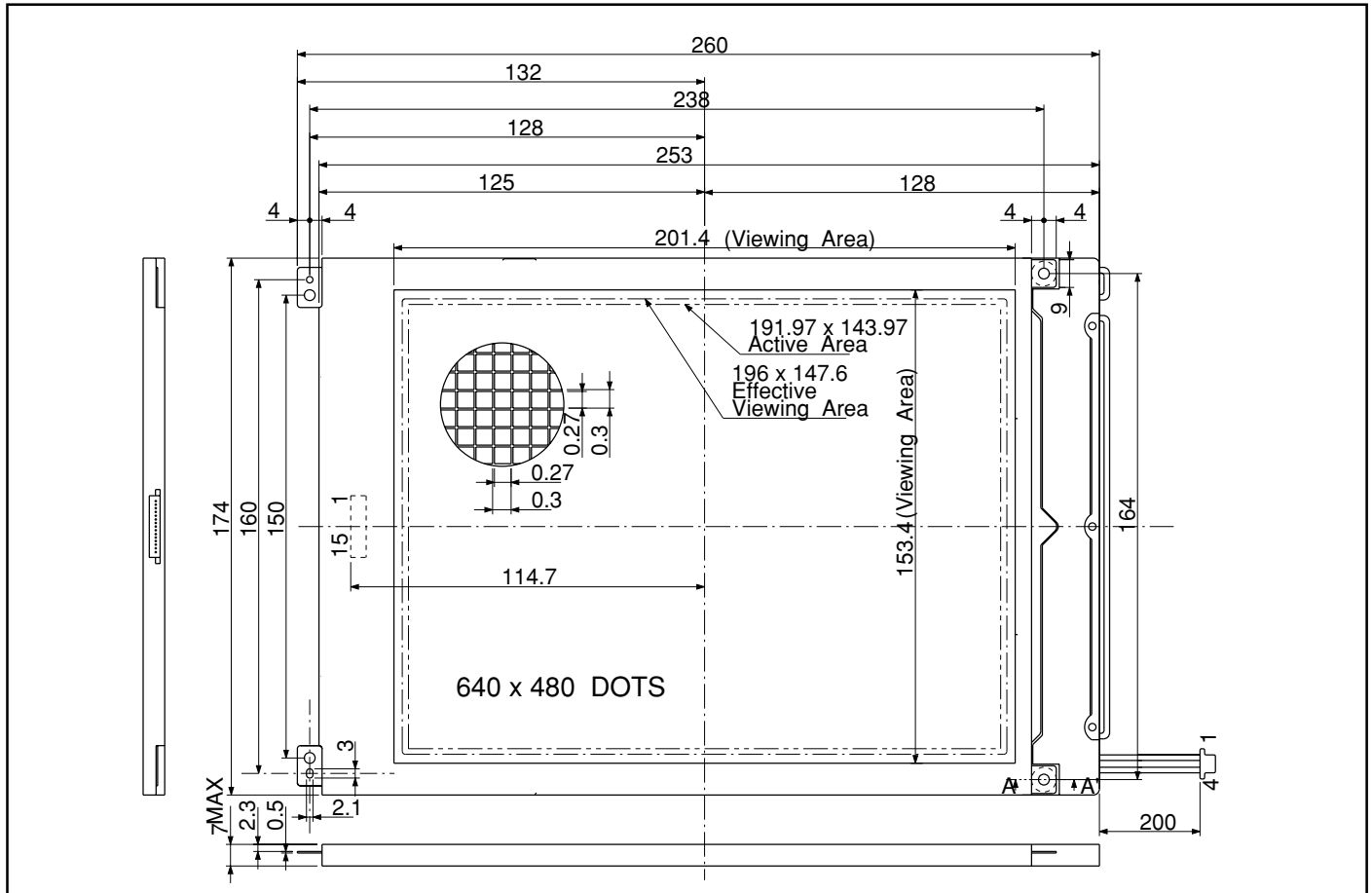
Parameter		Unit
Brightness	45	cd/m ²
Duty ratio	1/240	-
Backlight type	1CCFT(E)	-
Power consumption	2 420	mW
Outline dimensions (W x H x D)	253.0(260.0)*2 x 174.0 x 7.0	mm
Weight	340	g
Operating temperature	0 to +50	°C
Storage temperature	-25 to +70	°C

*1...Contrast ratio : Reflective / Transmissive

*2...() value ... Including mounting tabs.

Outline Dimensions

unit : mm



In the absence of confirmation by device specification sheets, SHARP takes no responsibility for any defects that may occur in using any SHARP devices shown in catalogs, data books, etc. Contact SHARP in order to obtain the latest device specification sheets before using any SHARP device. Specifications are subject to change without notice for improvement.