

## LQ6BW12K

Color TFT-LCD Module for AV/Car Navigation  
(LCD TV/PDA/Car Navigation)

### Features

- Display size : 14 cm [5.6"]
- Wide viewing angle

### Specifications

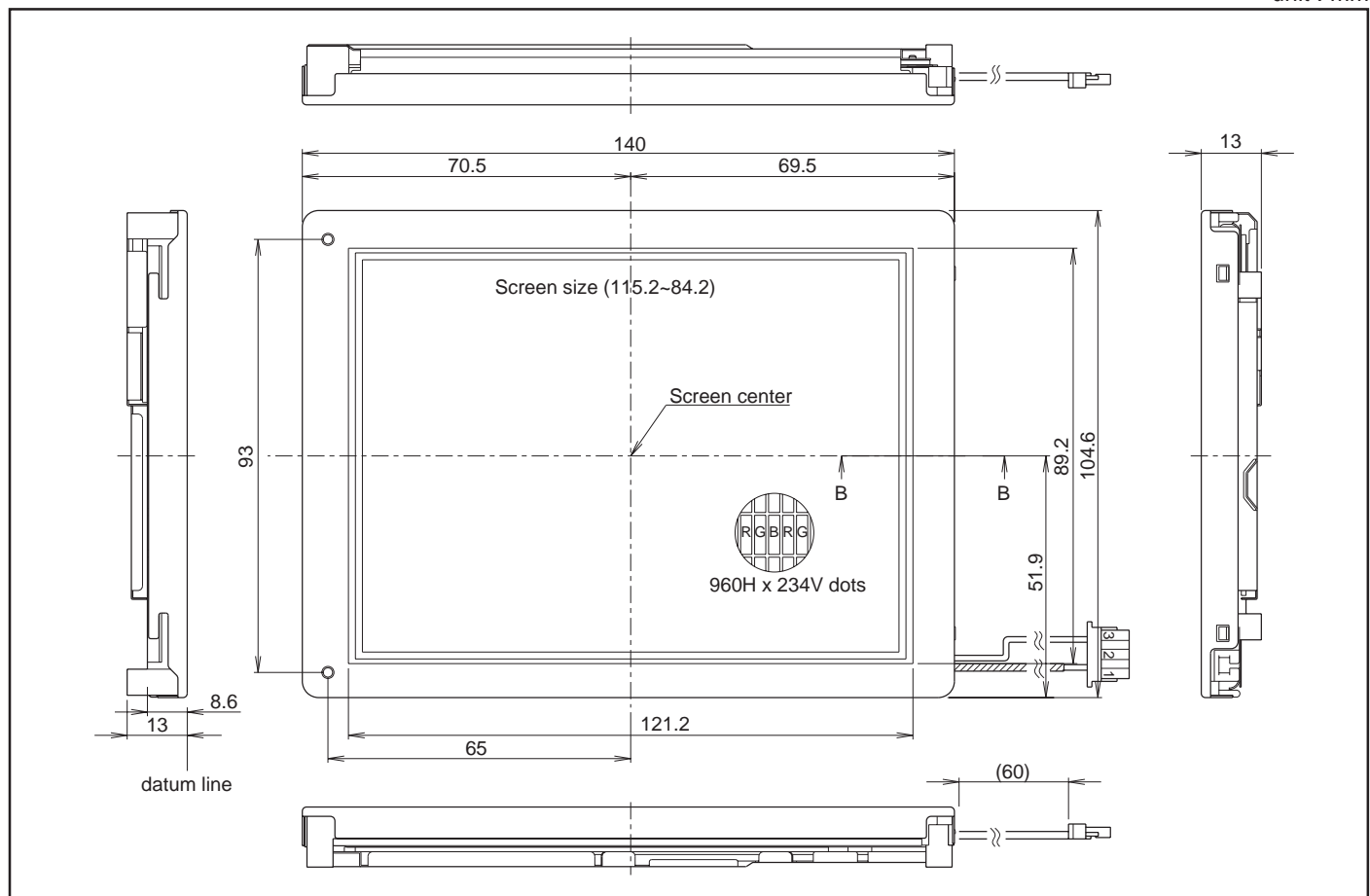
Parameter		Unit
Display size	14 [5.6]	cm [ " ]
No. of pixels	74 880	pixel
Dot format (H x V)	320 x RGB x 234	dot
Dot pitch (H x V)	0.120 x 0.360	mm
Active area (H x V)	115.2 x 84.2	mm
Input signal system	NTSC/PAL*1	-
Input video signal	TFT Specific Analog RGB	-
Viewing direction	6 : 00	-

Parameter		Unit
Backlight type	1CCFT(E)	-
Brightness		cd/m <sup>2</sup>
Power consumption panel & backlight	4.9	W
Outline dimensions (W x H x D)	140.0 x 104.6 x 13.0	mm
Weight	220	g
Operating temperature	-30 to + 85	°C
Storage temperature	-30 to + 85	°C

\*1...MBK-PAL system is adopted as PAL. LCD panel has 234 scanning lines but video-signals are deleted for certain intervals, and displays a picture of 273 virtual scanning lines.

### Outline Dimensions

unit : mm



This datasheet has been download from:

[www.datasheetcatalog.com](http://www.datasheetcatalog.com)

Datasheets for electronics components.