

# KOE

## JDI Group

Kaohsiung Opto-Electronics Inc.

FOR MESSRS: \_\_\_\_\_

DATE: May 1<sup>st</sup>, 2012

### CUSTOMER'S ACCEPTANCE SPECIFICATIONS

### SP14N001-ZZA

#### Contents

No.	ITEM	SHEET No.	PAGE
1	COVER	7B64PS 2701- SP14N001-ZZA-10	1-1/1
2	RECORD OF REVISION	7B64PS 2702- SP14N001-ZZA-10	2-1/4~4/4
3	GENERAL SPECIFICATION	7B64PS 2703- SP14N001-ZZA-10	3-1/1
4	ABSOLUTE MAXIMUM RATINGS	7B64PS 2704- SP14N001-ZZA-10	4-1/1
5	ELECTRICAL CHARACTERISTICS	7B64PS 2705- SP14N001-ZZA-10	5-1/1
6	OPTICAL CHARACTERISTICS	7B64PS 2706- SP14N001-ZZA-10	6-1/2~2/2
7	BLOCK DIAGRAM	7B64PS 2707- SP14N001-ZZA-10	7-1/1
8	INTERFACE TIMING	7B64PS 2708- SP14N001-ZZA-10	8-1/2~2/2
9	OUTLINE DIMENSIONS	7B64PS 2709- SP14N001-ZZA-10	9-1/3~3/3
10	APPEARANCE STANDARD	7B64PS 2710- SP14N001-ZZA-10	10-1/3~3/3
11	PRECAUTION IN DESIGN	7B64PS 2711- SP14N001-ZZA-10	11-1/2~2/2
12	DESIGNATION OF LOT MARK	7B64PS 2712- SP14N001-ZZA-10	12-1/1
13	PRECAUTION FOR USE	7B64PS 2713- SP14N001-ZZA-10	13-1/1
14	TOUCH PANEL SPECIFICATION	7B64PS 2714- SP14N001-ZZA-10	14-1/3~3/3

ACCEPTED BY: \_\_\_\_\_

PROPOSED BY: 

# RECORD OF REVISION

DATE	SHEET No.	SUMMARY																				
Jul.17.2001	7B64PS 2703- SP14N001-ZZA-2 Page 3-1/1	<p>CHANGED: (8)LCD TYPE:TRANSMISSIVE TYPE F-STN WITH GLARE TYPE UPPER POLARIZER. →LCD TYPE:TRANSMISSIVE TYPE F-STN.</p> <p>ADDED:(13)DC/DC CIRCUIT                  BUILT-IN</p>																				
	7B64PS 2704- SP14N001-ZZA-2 Page 4-1/1	<p>CHANGED:</p> <table style="width: 100%; border-collapse: collapse;"> <tr> <td style="border: 1px solid black; padding: 2px;">SYMBOL</td> <td style="border: 1px solid black; padding: 2px;">COMMENT</td> <td style="width: 20px; text-align: center;">→</td> <td style="border: 1px solid black; padding: 2px;">SYMBOL</td> <td style="border: 1px solid black; padding: 2px;">COMMENT</td> </tr> <tr> <td style="border: 1px solid black; padding: 2px;">Vi</td> <td style="border: 1px solid black; padding: 2px;">NOTE1</td> <td></td> <td style="border: 1px solid black; padding: 2px;">Vi</td> <td style="border: 1px solid black; padding: 2px;"></td> </tr> <tr> <td style="border: 1px solid black; padding: 2px;">VESD1</td> <td style="border: 1px solid black; padding: 2px;">NOTE2,3,4</td> <td></td> <td style="border: 1px solid black; padding: 2px;">VESD1</td> <td style="border: 1px solid black; padding: 2px;">NOTE1,2,3</td> </tr> <tr> <td style="border: 1px solid black; padding: 2px;">VESD1</td> <td style="border: 1px solid black; padding: 2px;">NOTE2,3,5</td> <td></td> <td style="border: 1px solid black; padding: 2px;">VESD1</td> <td style="border: 1px solid black; padding: 2px;">NOTE1,2,4</td> </tr> </table> <p>SUBJECT MATTER OF NOTTE1~NOTE5 CHANGED AS BELOW: NOTE(1):MAKE CERTAIN YOU ARE GROUNDED WHEN HANDING LCM. NOTE(2):ENEGY STORAGE CAPACITANCE 200PF,DISCHARGE RESISTANCE <math>\Omega</math> Ta=25°C , 60% RH. NOTE(3):CONTACT DISCHARGE TO I/F CONNECTOR PINS. NOTE(4):CONTACT DISCHARGE TO FRONT METAL BEZEL.</p>	SYMBOL	COMMENT	→	SYMBOL	COMMENT	Vi	NOTE1		Vi		VESD1	NOTE2,3,4		VESD1	NOTE1,2,3	VESD1	NOTE2,3,5		VESD1	NOTE1,2,4
	SYMBOL	COMMENT	→	SYMBOL	COMMENT																	
Vi	NOTE1		Vi																			
VESD1	NOTE2,3,4		VESD1	NOTE1,2,3																		
VESD1	NOTE2,3,5		VESD1	NOTE1,2,4																		
7B64PS 2704- SP14N001-ZZA-2 Page 4-1/1	<p>CHANGED:</p> <p>5.1 ELECTRICAL CHARACTERISTICS</p> <table style="width: 100%; border-collapse: collapse;"> <thead> <tr> <th style="width: 60%;">ITEM</th> <th style="width: 20%;">SYMBOL</th> <th style="width: 20%;">TYP.</th> </tr> </thead> <tbody> <tr> <td>POWER SUPPLY CURRENT FOR LOGIC NOTE4</td> <td>IDD</td> <td>(40)</td> </tr> <tr> <td>SUITABLE LC DRIVING VOLTAGE NOTE3</td> <td>VDD-V0(OUT)</td> <td>(18.6) (16.3) (14.7)</td> </tr> <tr> <td>FRAME FREQUENCY</td> <td>fFRAME</td> <td>(75)</td> </tr> </tbody> </table> <p style="text-align: center;">↓</p> <table style="width: 100%; border-collapse: collapse;"> <thead> <tr> <th style="width: 60%;">ITEM</th> <th style="width: 20%;">SYMBOL</th> <th style="width: 20%;">TYP.</th> </tr> </thead> <tbody> <tr> <td>POWER SUPPLY CURRENT FOR LOGIC NOTE1</td> <td>IDD</td> <td>(15)</td> </tr> <tr> <td>SUITABLE LC DRIVING VOLTAGE NOTE2</td> <td>VDD-V0(OUT)</td> <td>(16.9) (15.8) (15.2)</td> </tr> </tbody> </table> <p>SUBJECT MATTER OF NOTTE1~NOTE4 CHANGED AS BELOW: NOTE1 VDD-V0=(15.8),Ta=25°C NOTE2 RECOMMENDED LC DRIVING VOLTAGE MAY FLUCTUATE ABOUT +/-1.0V BY EACH MODULE TEST PATTEN IS ALL "Q"</p>	ITEM	SYMBOL	TYP.	POWER SUPPLY CURRENT FOR LOGIC NOTE4	IDD	(40)	SUITABLE LC DRIVING VOLTAGE NOTE3	VDD-V0(OUT)	(18.6) (16.3) (14.7)	FRAME FREQUENCY	fFRAME	(75)	ITEM	SYMBOL	TYP.	POWER SUPPLY CURRENT FOR LOGIC NOTE1	IDD	(15)	SUITABLE LC DRIVING VOLTAGE NOTE2	VDD-V0(OUT)	(16.9) (15.8) (15.2)
ITEM	SYMBOL	TYP.																				
POWER SUPPLY CURRENT FOR LOGIC NOTE4	IDD	(40)																				
SUITABLE LC DRIVING VOLTAGE NOTE3	VDD-V0(OUT)	(18.6) (16.3) (14.7)																				
FRAME FREQUENCY	fFRAME	(75)																				
ITEM	SYMBOL	TYP.																				
POWER SUPPLY CURRENT FOR LOGIC NOTE1	IDD	(15)																				
SUITABLE LC DRIVING VOLTAGE NOTE2	VDD-V0(OUT)	(16.9) (15.8) (15.2)																				

## RECORD OF REVISION

DATE	SHEET No.	SUMMARY														
Jul.17.2001	7B64PS 2706- SP14N001-ZZA-2 Page 6-2/2	CHANGED: 6.2 OPTICAL CHARACTERISTICS OF BACKLIGHT <table border="1" style="margin: 10px auto; border-collapse: collapse;"> <tr> <td style="width: 15%;">ITEM</td> <td style="width: 15%;">MIN</td> <td style="width: 15%;">TYP</td> <td style="width: 10%; text-align: center;">→</td> <td style="width: 15%;">ITEM</td> <td style="width: 15%;">MIN</td> <td style="width: 15%;">TYP</td> </tr> <tr> <td>BRIGHTNESS</td> <td>(120)</td> <td>150</td> <td></td> <td>BRIGHTNESS</td> <td>(91)</td> <td>(114)</td> </tr> </table> <p style="margin: 10px auto;">                         CFL:INITIAL, Ta=25°C, VDD-V0=(16.3)V      →                          CFL:INITIAL, Ta=25°C, VDD-V0=(15.8)V                     </p>	ITEM	MIN	TYP	→	ITEM	MIN	TYP	BRIGHTNESS	(120)	150		BRIGHTNESS	(91)	(114)
	ITEM	MIN	TYP	→	ITEM	MIN	TYP									
	BRIGHTNESS	(120)	150		BRIGHTNESS	(91)	(114)									
	7B64PS 2707- SP14N001-ZZA-2 Page 7-1/1	ADDED SIGNALS FOR P/N														
	7B64PS 2709- SP14N001-ZZA-2 Page 8-2/2	CHANGED: 8.3 POWER SUPPLY FOR LCM														
7B64PS 2709- SP14N001-ZZA-2 Page 9-1/3	CHANGED: 9.1 DIMENSIONAL OUTLINE FOR TOUCH PANEL.															
7B64PS 2709- SP14N001-ZZA-2 Page 9-3/3	CHANGED: 9.3 INTERNAL PIN CONNECTION <table border="1" style="margin: 10px auto; border-collapse: collapse;"> <tr> <td style="width: 15%;">PIN No.</td> <td style="width: 20%;">SYMBOL</td> <td style="width: 65%;">FUNCTION</td> </tr> <tr> <td>17</td> <td>NC</td> <td>NO CONNECTION</td> </tr> </table> <p style="text-align: center; margin: 5px 0;">↓</p> <table border="1" style="margin: 10px auto; border-collapse: collapse;"> <tr> <td style="width: 15%;">PIN No.</td> <td style="width: 20%;">SYMBOL</td> <td style="width: 65%;">FUNCTION</td> </tr> <tr> <td>17</td> <td>P/N</td> <td>DISPLAY MODE REVERSE.</td> </tr> </table>	PIN No.	SYMBOL	FUNCTION	17	NC	NO CONNECTION	PIN No.	SYMBOL	FUNCTION	17	P/N	DISPLAY MODE REVERSE.			
PIN No.	SYMBOL	FUNCTION														
17	NC	NO CONNECTION														
PIN No.	SYMBOL	FUNCTION														
17	P/N	DISPLAY MODE REVERSE.														
Sep.05.2001	7B64PS 2703- SP14N001-ZZA-3 PAGE 3-1/1	CHANGED: OUTER DIMENSIONS 159.4(W)mm x101.0(H) mm x12.4(D) mm (MAX)→159.4(W)mm x101.0(H) mm x12.8(D) mm(MAX)														
	7B64PS 2709- SP14N001-ZZA-3 PAGE 9-1/3	CHANGED: T/P OUTLINE 136.7→142.0 , 79.1→87.0														
	7B64PS 2709- SP14N001-ZZA-3 PAGE 9-3/3	CHANGED: CN1:PIN FUNCTIONS CONNECTOR:MOLEX/52103-2617→MOLEX/52207-2690														
Nov.27.2001	7B64PS 2709- SP14N001-ZAA-4 PAGE 9-1/3	CHANGED: CN1 PIN DIRECTION NO.1 → 26 ; 26 → 1														
Apr.08.2004	7B63PS 2709- SP14N001-ZAA-5 PAGE 9-1/3	Changed: Revised : CFL cable length (50) → (56)														

## RECORD OF REVISION

DATE	SHEET No.	SUMMARY										
May.28,'07	7B64PS 2709- SP14N001-ZAA-6 Page 9-3/3	9.3 Internal Pin Connection Changed : CFL I / F : Mitsumi M63M83 – 04 → JAE IL-G-4S-S3C2-SA										
	7B64PS 2712- SP14N001-ZAA-6 Page 12-1/1	12. DESIGNATION OF LOT MARK Added <table border="1" style="margin-left: 20px; border-collapse: collapse; width: 80%;"> <thead> <tr> <th style="width: 15%;">REV No.</th> <th style="width: 55%;">ITEM</th> <th style="width: 30%;">LOT No.</th> </tr> </thead> <tbody> <tr> <td style="text-align: center;">-</td> <td>CFL I/F Connector : Mitsumi M63M83 - 04</td> <td style="text-align: center;">-</td> </tr> <tr> <td style="text-align: center;">A</td> <td>CFL I/F Connector : JAE IL-G-4S-S3C2-SA</td> <td style="text-align: center;">7102T</td> </tr> </tbody> </table>	REV No.	ITEM	LOT No.	-	CFL I/F Connector : Mitsumi M63M83 - 04	-	A	CFL I/F Connector : JAE IL-G-4S-S3C2-SA	7102T	
REV No.	ITEM	LOT No.										
-	CFL I/F Connector : Mitsumi M63M83 - 04	-										
A	CFL I/F Connector : JAE IL-G-4S-S3C2-SA	7102T										
May.13,'08	7B64PS 2714- SP14N001-ZAA-7 PAGE 14-1/3	14.1.2 OPERATING CONDITIONS Changed : <table border="1" style="margin-left: 20px; border-collapse: collapse; width: 80%;"> <thead> <tr> <th style="width: 30%;">ITEM</th> <th style="width: 70%;">SPECIFICATIONS</th> </tr> </thead> <tbody> <tr> <td>Actuation Force</td> <td style="text-align: center;">(10~50g)</td> </tr> </tbody> </table> <p style="text-align: center;">↓</p> <table border="1" style="margin-left: 20px; border-collapse: collapse; width: 80%;"> <thead> <tr> <th style="width: 30%;">ITEM</th> <th style="width: 70%;">SPECIFICATIONS</th> </tr> </thead> <tbody> <tr> <td>Actuation Force</td> <td style="text-align: center;">1.2N max.</td> </tr> </tbody> </table>	ITEM	SPECIFICATIONS	Actuation Force	(10~50g)	ITEM	SPECIFICATIONS	Actuation Force	1.2N max.		
		ITEM	SPECIFICATIONS									
Actuation Force	(10~50g)											
ITEM	SPECIFICATIONS											
Actuation Force	1.2N max.											
14.2.1 INPUT METHOD & ACTUATION FORCE Changed : <table border="1" style="margin-left: 20px; border-collapse: collapse; width: 80%;"> <thead> <tr> <th style="width: 30%;">INPUT METHOD</th> <th style="width: 30%;">ACTUATION FORCE</th> <th style="width: 40%;">COMMENT</th> </tr> </thead> <tbody> <tr> <td>PEN</td> <td style="text-align: center;">(10~50g)</td> <td>R0.8, Polyacetal pen</td> </tr> </tbody> </table> <p style="text-align: center;">↓</p> <table border="1" style="margin-left: 20px; border-collapse: collapse; width: 80%;"> <thead> <tr> <th style="width: 30%;">INPUT METHOD</th> <th style="width: 30%;">ACTUATION FORCE</th> <th style="width: 40%;">COMMENT</th> </tr> </thead> <tbody> <tr> <td>PEN</td> <td style="text-align: center;">1.2N max.</td> <td>R0.8, Polyacetal pen</td> </tr> </tbody> </table>	INPUT METHOD	ACTUATION FORCE	COMMENT	PEN	(10~50g)	R0.8, Polyacetal pen	INPUT METHOD	ACTUATION FORCE	COMMENT	PEN	1.2N max.	R0.8, Polyacetal pen
INPUT METHOD	ACTUATION FORCE	COMMENT										
PEN	(10~50g)	R0.8, Polyacetal pen										
INPUT METHOD	ACTUATION FORCE	COMMENT										
PEN	1.2N max.	R0.8, Polyacetal pen										
Sep.11,'09	7B64PS 2712- SP14N001-ZAA-8 PAGE 12-1/1	12. DESIGNATION OF LOT MARK Added <table border="1" style="margin-left: 20px; border-collapse: collapse; width: 80%;"> <thead> <tr> <th style="width: 15%;">REV No.</th> <th style="width: 55%;">ITEM</th> <th style="width: 30%;">LOT No.</th> </tr> </thead> <tbody> <tr> <td style="text-align: center;">B</td> <td>M count IC change</td> <td style="text-align: center;">-</td> </tr> </tbody> </table>	REV No.	ITEM	LOT No.	B	M count IC change	-				
REV No.	ITEM	LOT No.										
B	M count IC change	-										

## RECORD OF REVISION

DATE	SHEET No.	SUMMARY					
Mar.25,'10	7B64PS 2703- SP14N001-ZAA-9 Page 3-1/1	3. GENERAL SPECIFICATIONS Changed : (12) LCD Controller T6963C / TOSHIBA  ↓ T6963C equivalent					
	7B64PS 2712- SP14N001-ZAA-9 Page 12-1/1	12. DESIGNATION OF LOT MARK Added <table border="1" style="margin-left: auto; margin-right: auto; border-collapse: collapse;"> <thead> <tr> <th style="width: 20%;">REV No.</th> <th style="width: 40%;">ITEM</th> <th style="width: 40%;">NOTE</th> </tr> </thead> <tbody> <tr> <td style="text-align: center;">C</td> <td>Controller IC Change</td> <td style="text-align: center;">PCN0768</td> </tr> </tbody> </table>	REV No.	ITEM	NOTE	C	Controller IC Change
REV No.	ITEM	NOTE					
C	Controller IC Change	PCN0768					
May 01,'12	All pages	Company name changed: KAOHSIUNG HITACHI ELECTRONICS CO.,LTD.  ↓ KAOHSIUNG OPTO-ELECTRONICS INC.					
	7B64PS-2711- SP14N001-ZAA-10 Page 11-2/2	Added : 14.7 SAFETY AND ATTENTIONS					

### 3. GENERAL SPECIFICATIONS

(1) Part Name	SP14N001-ZZA
(2) Outer Dimensions	159.4(W)mm×101.0(H)mm×128(D) mm (max.)
(3) Effective Display Area	123 mm min. × 68 mm min.
(4) Dot Size	0.48(W)min. × 0.48(H)min.
(5) Dot Pitch	0.50(W)mm × 0.50(H)mm
(6) Dot Number (Resolution)	240 (W) × 128 (H)
(7) Duty Ratio	1/128
(8) LCD Type	Transmissive type F-STN
(9) Viewing Direction	6 O'clock
(10) Back Light Type	Cold cathode fluorescent lamp.
(11) Touch Panel	Analog resistive Transparency : 76% min. Surface Type : Anti glare
(12) LCD Controller	T6963C equivalent
(13) DC/DC Circuit	BUILT-IN

## 4. ABSOLUTE MAXIMUM RATINGS

### 4.1 ELECTRICAL ABSOLUTE MAXIMUM RATINGS.

VSS=0V:STANDARD

ITEM	SYMBOL	MIN.	MAX.	UNIT	COMMENT
Power Supply for Logic	VDD-VSS	0	7.0	V	
Input Voltage	$V_i$	-0.3	VDD+0.3	V	
Input Current	$I_i$	0	1	A	
Static Electricity	VESD0	-	±100	V	Note 1,2,3
	VESD1	-	±10	KV	Note 1,2,4

Note 1 : Make certain you are grounded when handling LCM.

Note 2 : Energy storage capacitance 200pF , discharge resistance 250Ω  
 $T_a=25^{\circ}\text{C}$  , 60%RH.

Note 3 : Contact discharge to I/F connector pins.

Note 4 : Contact discharge to front metal bezel.

### 4.2 ENVIRONMENTAL ABSOLUTE MAXIMUM RATINGS.

ITEM	OPERATING		STORAGE		COMMENT
	MIN.	MAX.	MIN.	MAX.	
Ambient Temperature	-10°C	60°C	-20°C	70°C	Note 2,3,8
Humidity	Note 1		Note 1		Without condensation
Vibration	-	2.45m/s <sup>2</sup> 0.25G	-	11.76m/s <sup>2</sup> 1.2G Note 5	Note 4 1 h max.
Shock	-	29.4m/s <sup>2</sup> 3 G	-	490.0m/s <sup>2</sup> 50 G Note 5	X Y Z directions
Corrosive Gas	Not acceptable		Not acceptable		

Note 1 :  $T_a \leq 40^{\circ}\text{C}$  : 85%RH max.

$T_a > 40^{\circ}\text{C}$  : Absolute humidity must be lower.  
 Than the humidity of 85%RH at 40°C

Note 2 :  $T_a$  at -20°C —— < 48h, at 60°C < 168h.

Note 3 : Background color changes slightly depending on ambient temperature.  
 This phenomenon is reversible.

Note 4 : 5Hz~100Hz (Except resonant frequency)

Note 5 : This module should be operated normally after finishing the test.

Note 6 : When LCM will be operated at 0°C , the life time of CFL will be reduced.  
 Need to make sure of value of the characteristics of inverter.  
 Also the response time at 0°C will be slower.

Note 7 : There are possibility that color non-uniformity happened while operating at  
 over 40°C.

Note 8 : 0°C~55°C with CFL and touch screen operated.

## 5. ELECTRICAL CHARACTERISTICS

### 5.1 ELECTRICAL CHARACTERISTICS

ITEM	SYMBOL	CONDITION	MIN.	TYP.	MAX.	UNIT
Power Supply Voltage for Logic	VDD-VSS	—	4.75	5.0	5.25	V
Input Voltage Note 1	VI	H LEVEL	0.8VDD	—	VDD	V
		L LEVEL	0	—	0.2VDD	V
Power Supply Current for Logic Note 1	IDD	VDD-VSS= 5.0V	—	40	—	mA
Recommended LC Driving Voltage Note 2	VDD-VO (OUT)	Ta= 0°C , $\phi = 0^\circ$	—	16.9	—	V
		Ta=25°C , $\phi = 0^\circ$	—	15.8	—	V
		Ta=50°C , $\phi = 0^\circ$	—	15.2	—	V

Note 1 : VDD-VO=(15.8)V , Ta=25°C

Note 2 : Recommended LC driving voltage may fluctuate about  $\pm 1.0V$  by each module.  
Test patten is all "Q".

### 5.2 ELECTRICAL CHARACTERISTICS OF BACKLIGHT

ITEM	SYMBOL	MIN.	TYP.	MAX.	UNIT	REMARKS
Lamp Voltage	VL	-	300	-	Vrms	Ta=25°C
Frequency	fL	-	70	85	KHz	Ta=25°C
Lamp Current	IL	4	5	6	mArms	Ta=25°C
Starting Discharge Voltage	VS Note 2	1000	-	-	Vrms	Ta=25°C

Please certainly inform KOE before designing lamp drive circuit according to the above specifications.

Note 1 : Please make sure that your inverter is designed to meet the above specifications.

Note 2 : Starting discharge voltage is increased when LCM is operating at lower temperature.  
Please check the characteristics of your inverter before applying to your set.

Note 3 : Average life time of CFL will be decreased when LCM is operating at lower temperature.

Note 4 : Under lower driving frequency of an inverter , a certain backlight system (CFL & CFL reflection sheet) may generate a sound noise.

Note 5: When IL is used over 5.5mA , it may cause uneven contrast near CFL location , due to heat dispersion from CFL.



# 6. OPTICAL CHARACTERISTICS

## 6.1 OPTICAL CHARACTERISTICS

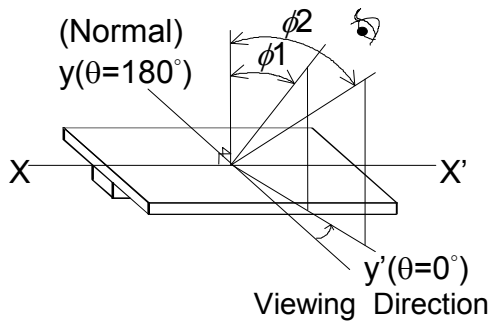
Ta=25°C (BACKLIGHT ON)

ITEM	SYMBOL	CONDITIONAL	MIN.	TYP.	MAX.	UNIT	REMARKS
Viewing Area	$\phi 2-\phi 1$	$K \geq 2.0$	-	40	-	deg.	1,2
Contrast Ratio	K	$\phi=0^\circ, \theta=0^\circ$	-	20	-	-	3
Response Time (Rise)	tr	$\phi=0^\circ, \theta=0^\circ$	-	120	-	ms	4
Response Time (Fall)	tf	$\phi=0^\circ, \theta=0^\circ$	-	150	-	ms	4

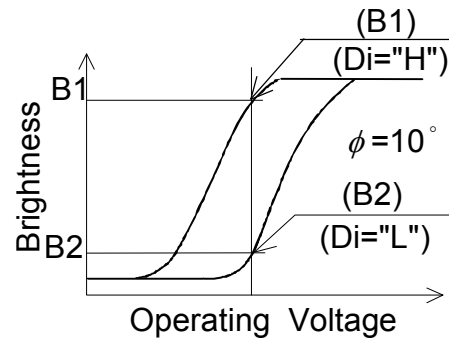
(Measure condition by KOE)

Note 1 : Definition of  $\theta$  and  $\phi$

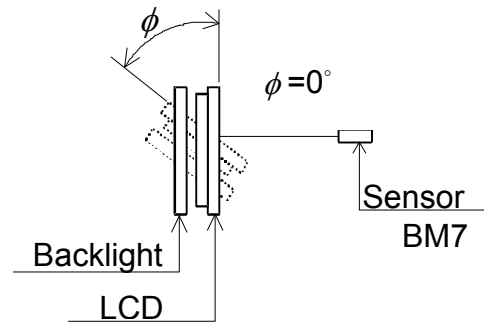
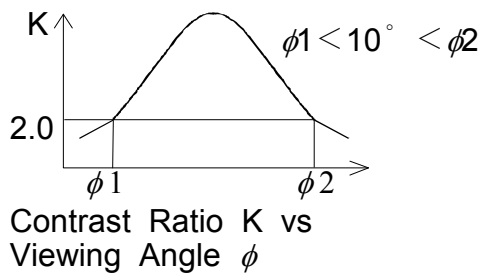
Note 3 : Definition of contrast "K"



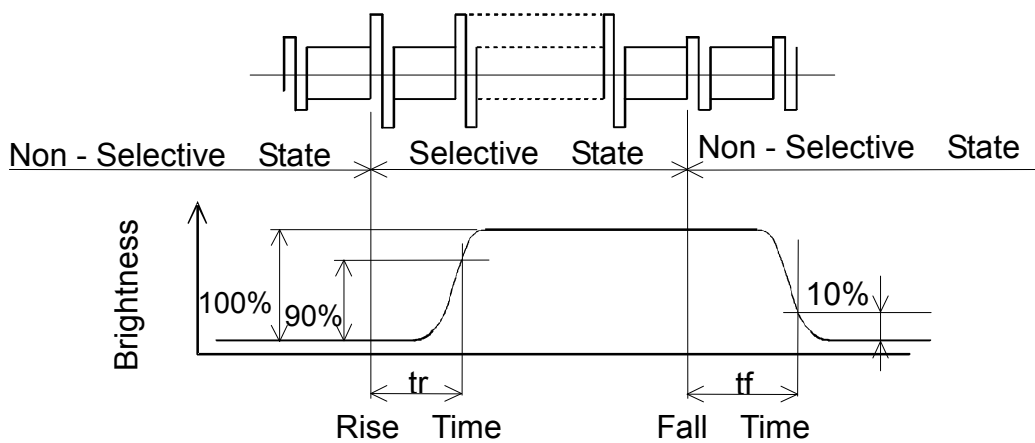
$$K = \frac{\text{Brightness on Selected dot (B1)}}{\text{Brightness on Non-selected dot (B2)}}$$



Note 2 : Definition of viewing angle  $\phi 1$  and  $\phi 2$ .



Note 4 : Definition of optical response



## 6.2 OPTICAL CHARACTERISTICS OF BACKLIGHT

ITEM	MIN.	TYP.	MAX.	UNIT	REMARK
Brightness	91	114	-	cd/m <sup>2</sup>	IL=5mA Note 1,2
Rise Time	-	5	-	MINUTE	IL=5mA Brightness 80%
Brightness Uniformity	-	-	±30	%	Undermentioned Note 1,3

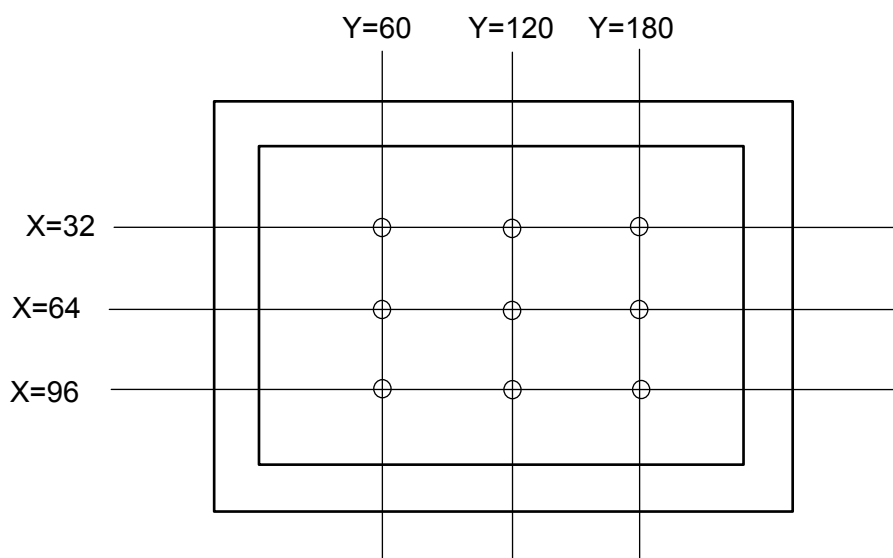
CFL : INITIAL, Ta=25°C, VDD-VO=15.8V

Display data should be all "ON".

Note 1 : Measurement after 10 minutes of CFL operating.

Note 2 : Brightness control : 100%

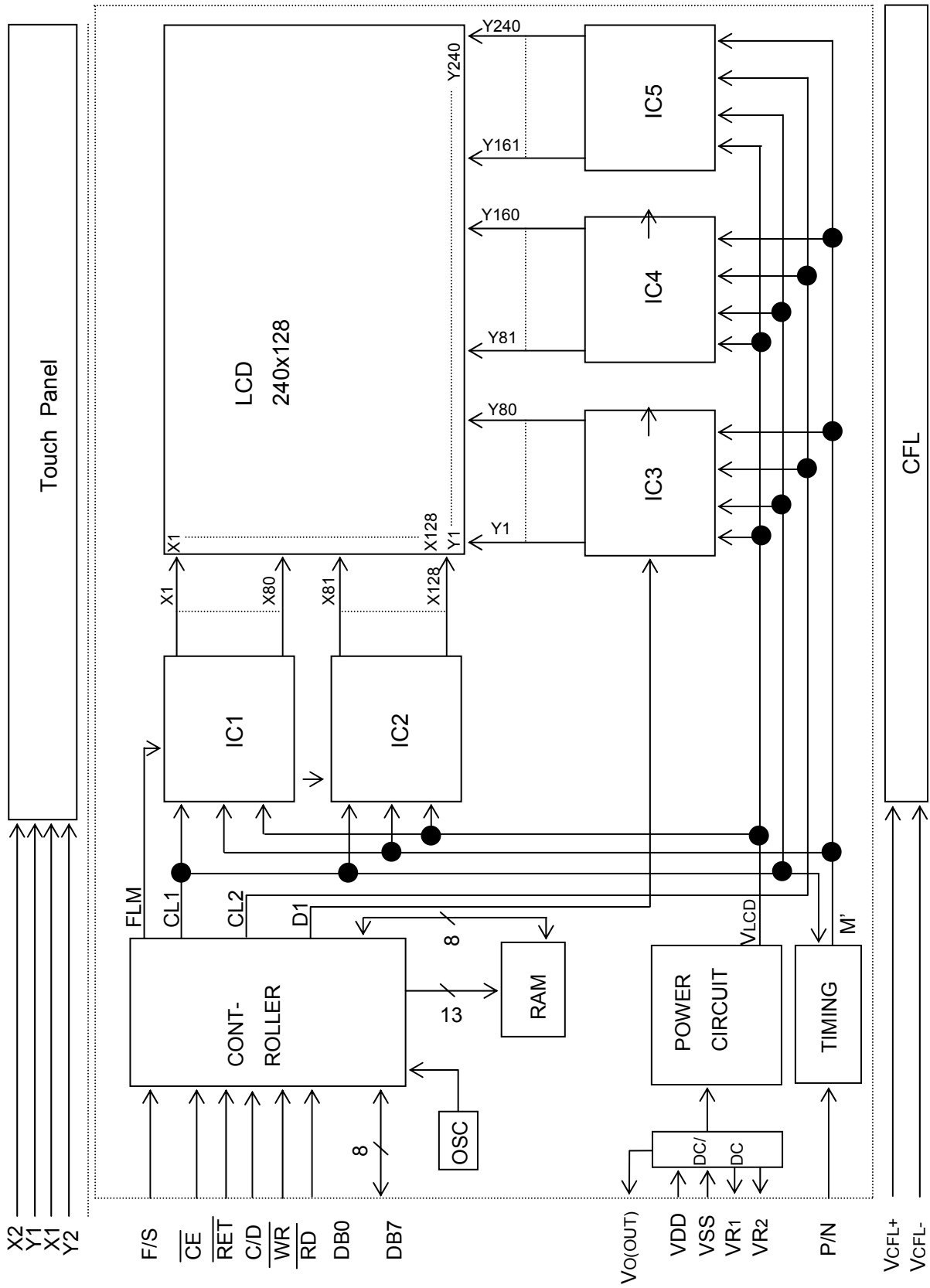
Note 3 : Measurement at the following 9 places on the display.



Definition of the brightness tolerance.

$$\left( \frac{\text{Max. or Min. Brightness} - \text{Average Brightness}}{\text{Average Brightness}} \right) \times 100\%$$

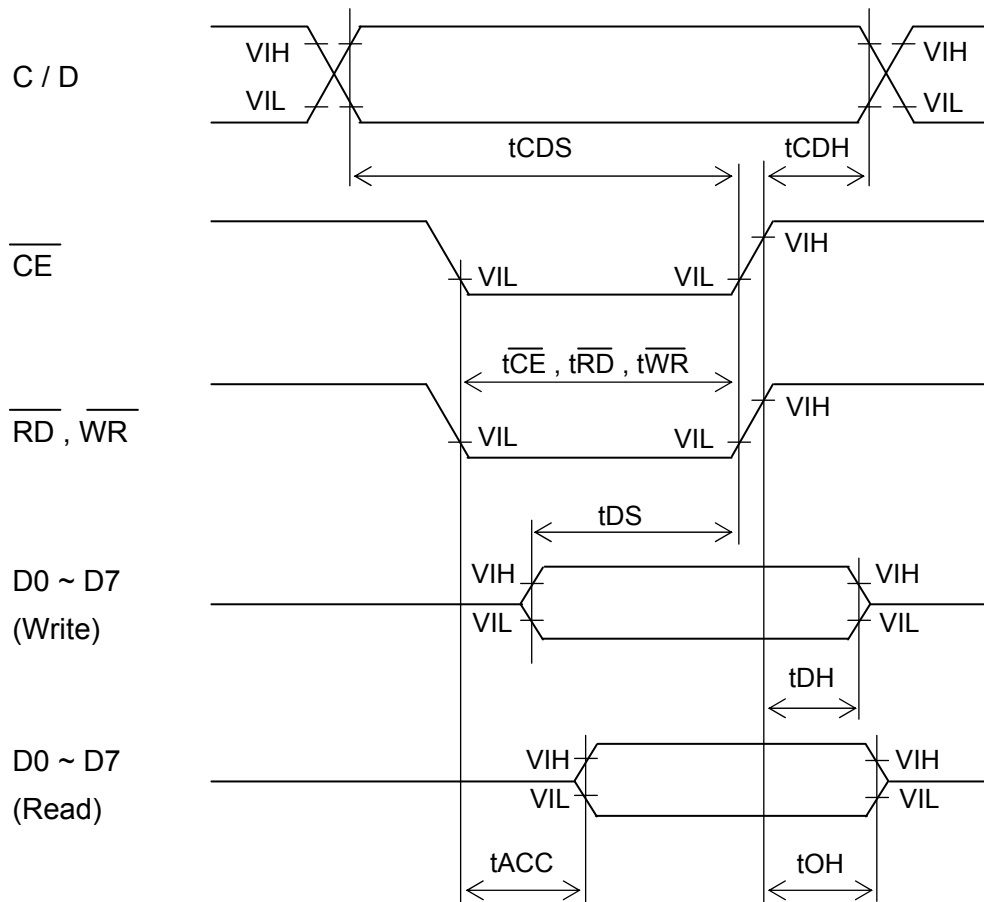
# 7. BLOCK DIAGRAM



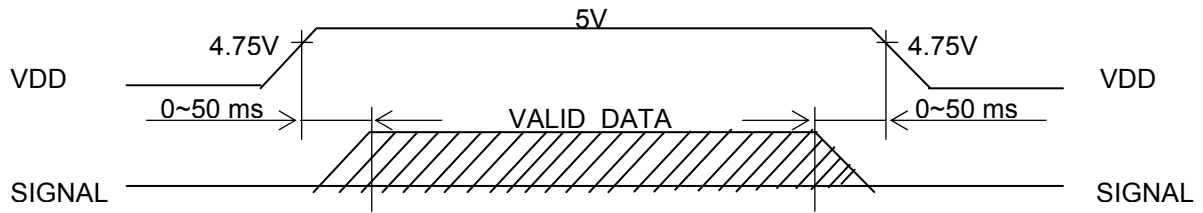
## 8. INTERFACE TIMING

### 8.1 INTERFACE TIMING

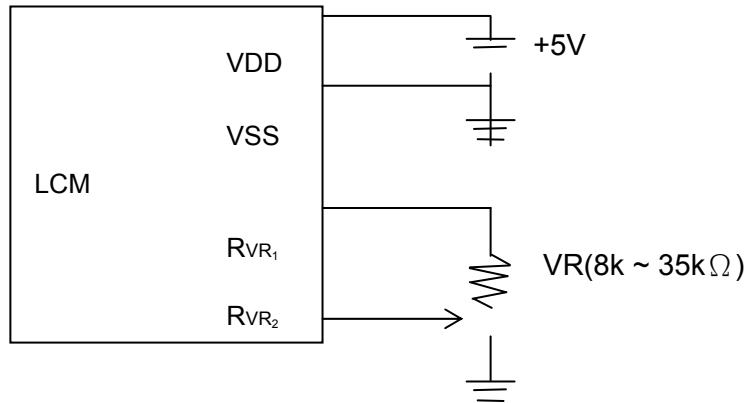
ITEM	SYMBOL	MIN.	TYP.	MAX.	UNIT
C / D Setup Time	tCDS	100	-	-	ns
C / D Hold Time	tCHD	10	-	-	ns
$\overline{\text{CE}}$ , $\overline{\text{RD}}$ , $\overline{\text{WR}}$ Pulse Width	$\overline{t_{\text{CE}}}$ , $\overline{t_{\text{RD}}}$ , $\overline{t_{\text{WR}}}$	80	-	-	ns
Data Setup Time	tDS	80	-	-	ns
Data Hold Time	tDH	40	-	-	ns
Access Time	tACC	-	-	150	ns
Output Hold Time	tOH	10	-	50	ns



## 8.2 TIMING OF POWER SUPPLY AND INTERFACE SIGNAL

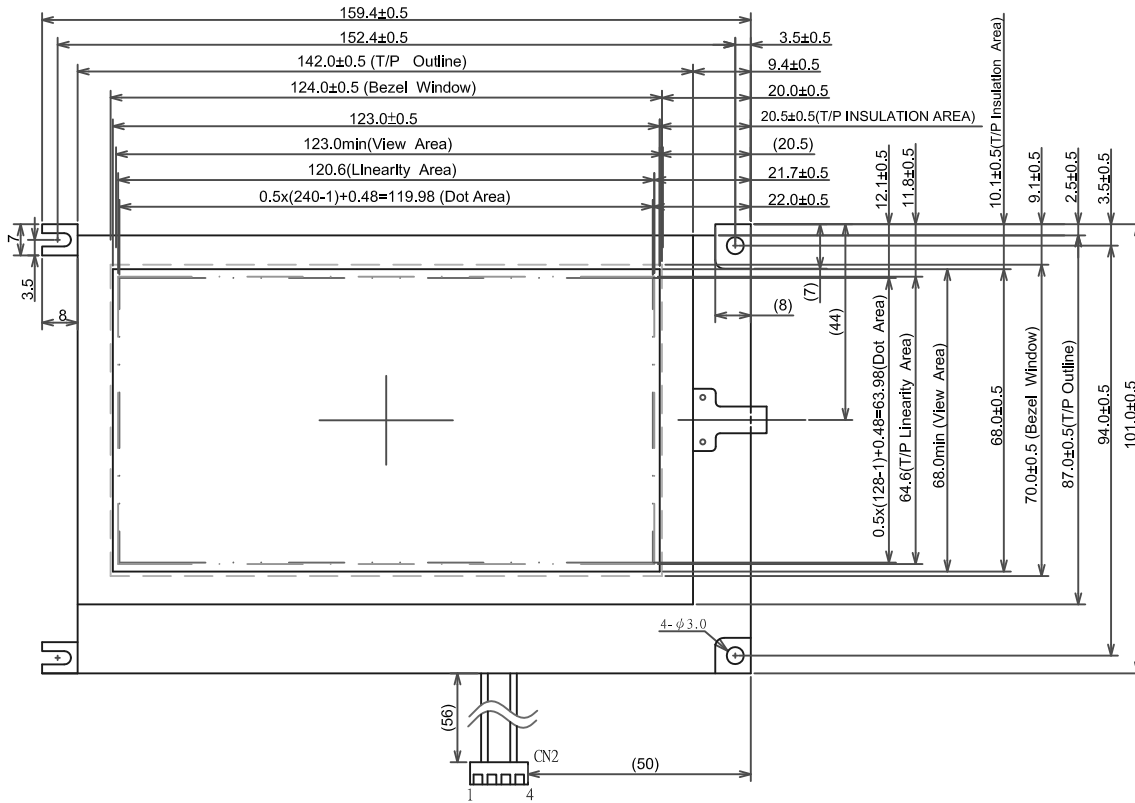


## 8.3 POWER SUPPLY FOR LCM

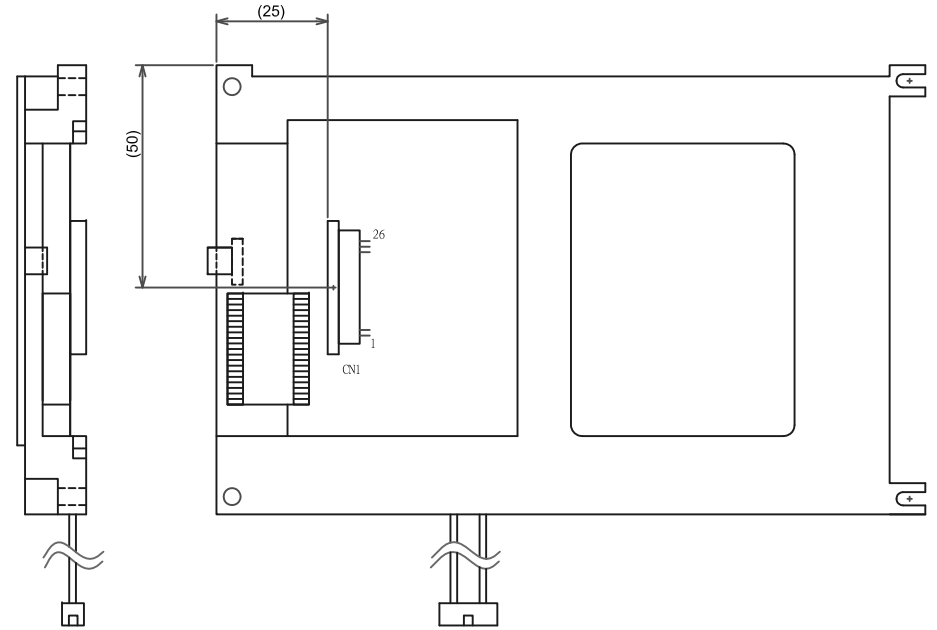


# 9. OUTLINE DIMENSIONAL

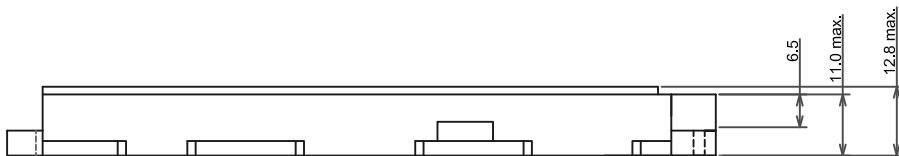
## 9.1 OUTLINE DIMENSIONAL



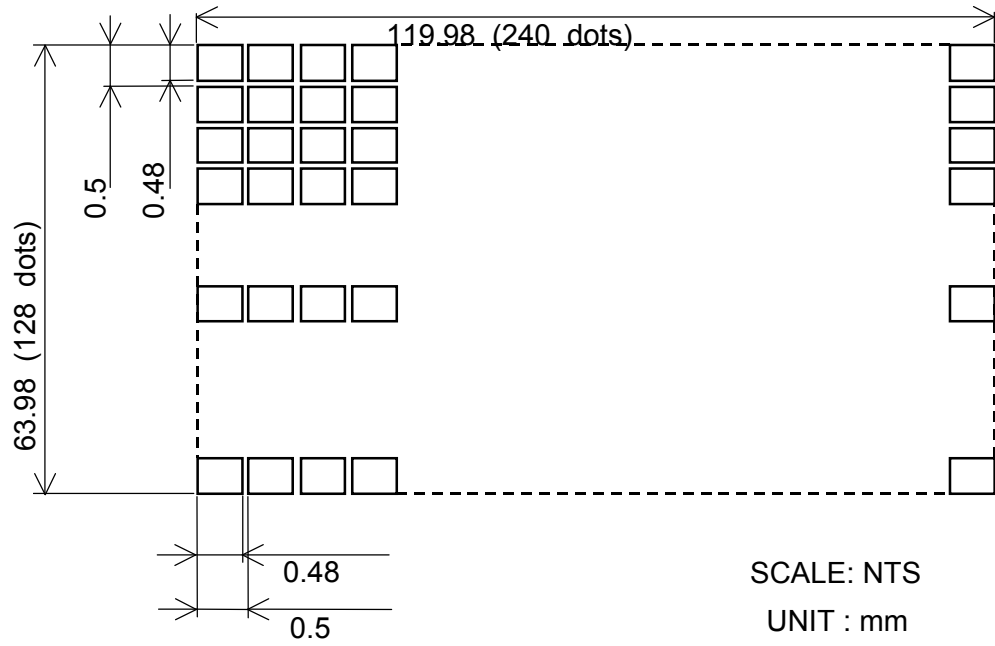
Front View



Rear View



## 9.2 DISPLAY PATTERN



### 9.3 INTERNAL PIN CONNECTION

CN1 : Pitch 1.0mm 26pins connector

Suitable connector : Molex 52207-2690

PIN No.	SYMBOL	FUNCTION
1	VSS(0V)	Ground
2	VDD(+5V)	Power supply for logic
3	V0(OUT)	No connection needed. LC driving voltage output for measuring
4	C/D	$\overline{WR}="L"$ : C/D="H" Command write C/D="L" Data Write $\overline{RD}="L"$ : C/D="H" Status Read C/D="L" Data Read
5	WR	Data write (Data write at "L")
6	RD	Data read (Read data at "L")
7	DB0	Data bus
8	DB1	
9	DB2	
10	DB3	
11	DB4	
12	DB5	
13	DB6	
14	DB7	
15	$\overline{CE}$	Chip enable ( $\overline{CE}$ must be "L")
16	$\overline{RET}$	Reset
17	NC	No connection
18	$\overline{DOFF}$	VDD/DISPLAY , GND/DISPLAY OFF
19	F/S	Character font select : F/S="H" 6*8FONT F/S="L" 8*8FONT
20	P/N	Display mode reverse.
21	R <sub>VR1</sub>	For adjusting LC driving voltage
22	R <sub>VR2</sub>	
23	Y2	Analog signal digitizer bottom
24	X1	Analog signal digitizer right
25	Y1	Analog signal digitizer upper
26	X2	Analog signal digitizer left

CN2 : JAE IL-G-4S-S3C2-SA

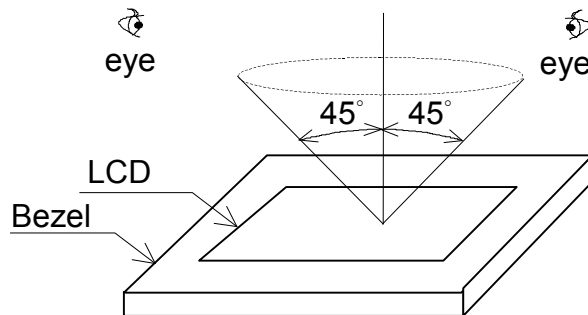
PIN No.	SYMBOL	FUNCTION
1	V <sub>CFL-</sub>	CFL ground
2	NC	No connection
3	NC	No connection
4	V <sub>CFL+</sub>	Power supply for CFL



## 10. APPEARANCE STANDARD

10.1 APPEARANCE INSPECTION CONDITIONS (IN THE EFFECTIVE VIEWING AREA) VISUAL INSPECTION SHOULD BE UNDER THE FOLLOWING CONDITION.

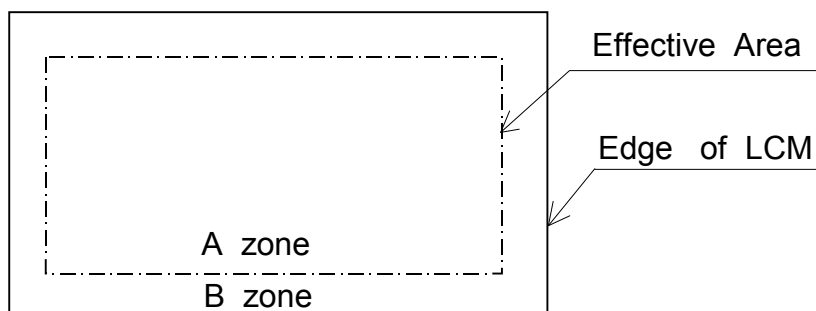
- (1) In the dark room.
- (2) With CFL panel lighted with prescribed inverter circuit.
- (3) With eye to LCD distance is 25cm.
- (4) Viewing angle within 45 degrees from the perpendicular to the center LCD.



### 10.2 DEFINITION OF EACH ZONE

A zone : Within the viewing area specified at page 9-1/3 of this document.

B zone : Area between the outline of LCM and the effective area specified at page 9-1/3 of this document.



### 10.3 APPEARENCE SPECIFICATION

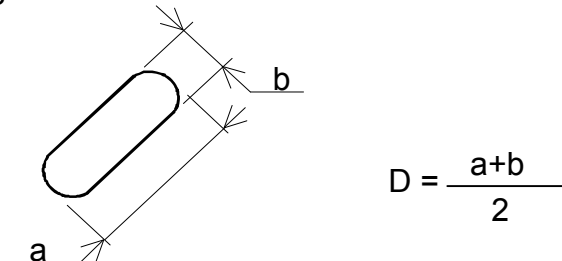
\*) If a problem occurs in respect to any of these items , responsables of both parties (customer and KOE) will discuss in more detail.

No.	ITEM	CRITERIA		A	B	
L C D	Scratches	Serious one is not allowed		*	-	
	Dent	Serious one is not allowed		*	-	
	Wrinkles in Polarizer	Serious one is not allowed		*	-	
	Bubbles	Average Diameter D(mm)		Maximum Number Acceptable		
		$D \leq 0.2$		Ignore		
		$0.2 < D \leq 0.3$		12		
		$0.3 < D \leq 0.5$		3		
		$0.5 < D$		None		
	Stains, Foreign Materials, Dark Spot	FILAMENTOUS			O	-
		Length L(mm)	Width W(mm)	Maximum Number Acceptable		
		$L \leq 2.0$	$W \leq 0.03$	Ignore		
		$L \leq 3.0$	$0.03 < W \leq 0.05$	6		
		-	$0.05 < W$	Judged by "Round" shape		
		ROUND			O	-
		Average Diameter D(mm)	Maximum Number Acceptable	Minimum Space		
	$D < 0.2$	Ignore	-			
	$0.2 \leq D < 0.33$	8	10mm			
	$0.33 \leq D$		None	-		
	Total		Filamentous + Round = 10			
	Those wiped out easily are acceptable				O	O
Pinhole	Average Diameter D(mm)		Maximum Number Acceptable			
	$D \leq 0.15$		Ignore			
	$0.15 < D \leq 0.3$		10			
	$D \leq 0.015$		Ignore			
Contrast Irregularity (Spot)	Average Diameter D(mm)		Maximum Number Acceptable	Minimum Space	O	-
	$D \leq 0.25$		Ignore	-		
	$0.25 < D \leq 0.35$		10	20mm		
	$0.35 < D \leq 0.5$		4	20mm		
	$0.5 < D$		None	-		

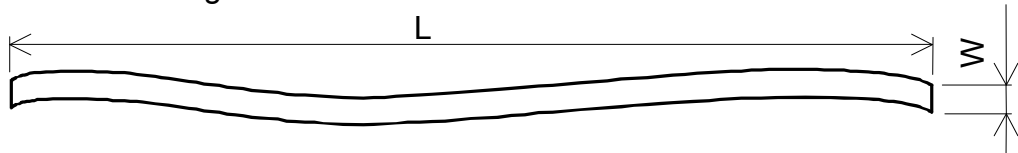
No.	ITEM	CRITERIA				A	B
L C D	Contrast Irregularity (Line) (Filamentous)	Width W(mm)	Length L(mm)	Maximum Number Acceptable	Minimum Space	O	-
		$W \leq 0.25$	$L \leq 1.2$	2	20mm		
		$W \leq 0.2$	$L \leq 1.5$	3	20mm		
		$W \leq 0.15$	$L \leq 2.0$	3	20mm		
		$W \leq 0.1$	$L \leq 3.0$	4	20mm		
Total			6				

No.	ITEM	CRITERIA		
C F L B / L	Dark Spots, White Spots Foreign Materials (Spot)	Average Diameter D(mm)		Maximum Number Acceptable
		$D \leq 0.4$		Ignore
		$D > 0.4$		None
	Foreign Materials (Line)	Width W(mm)	Length L(mm)	Maximum Number Acceptable
		$W \leq 0.2$	$L < 2.5$	$\leq 1$
		$W \leq 0.2$	$L > 2.5$	None
	Scratches	Width W(mm)	Length L(mm)	Maximum Number Acceptable
		$W \leq 0.1$	-	Ignore
		$0.1 < W \leq 0.2$	$L \leq 11.0$	$\leq 1$
		$0.1 < W \leq 0.2$	$L \geq 11.0$	None
	$W > 0.2$	-	None	

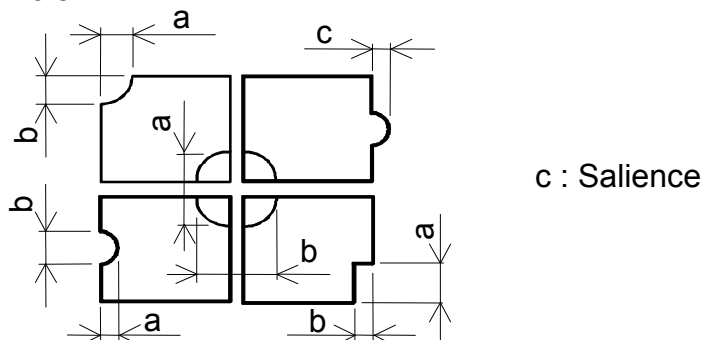
Note 1 : Definition of average diameter D



Note 2 : Definition of length L and width W



Note 3 : Definition of pinhole



## 11. PRECAUTION IN DESIGN

### 11.1 LC DRIVING VOLTAGE (VEE) AND VIEWING ANGLE RANGE.

Setting VEE out of the recommended condition will be a cause for a change of viewing angle range.

### 11.2 CAUTION AGAINST STATIC CHARGE

As this module is provided with C-MOS LSI, the care to take such a precaution as grounding the operator's body is required when handling it.

### 11.3 POWER ON SEQUENCE

Input signals should not be applied to LCD module before power supply voltage is applied and reaches to specified voltage ( $5V \pm 0.5\%$ ).

If above sequence is not kept, C-MOS LSI of LCD modules may be damaged due to latch up problem.

### 11.4 PACKAGING

(1) No. Leaving product is preferable in the place of high humidity for a long period of time. For their storage in the place where temperature is  $35^{\circ}\text{C}$  or higher, special care to prevent them from high humidity is required. A combination of high temperature and high humidity may cause them polarization degradation as well as bubble generation and polarizer peel-off. Please keep the temperature and humidity within the specified range for use and storage.

(2) Since upper/bottom polarizers tend to be easily damaged, they should be handled full with care so as not to get them touched, pushed or rubbed.

(3) As the adhesives used for adhering upper/bottom polarizers are made of organic substances which will be deteriorated by a chemical reaction with such chemicals as acetone, toluene, ethanol and isopropyl alcohol. The following solvents are recommended for use:  
normal hexane

Please contact us when it is necessary for you to use chemicals.

(4) Lightly wipe to clean the dirty surface with absorbent cotton waste or other soft material like chamois, soaked in the chemicals recommended without scrubbing it hardly. To prevent the display surface from damage and keep the appearance in good state, it is sufficient, in general, to wipe it with absorbent cotton.

(5) Immediately wipe off saliva or water drop attached on the display area because its long period adherence may cause deformation or faded color on the spot.

(6) Foggy dew deposited on the surface and contact terminals due to coldness will be caused for polarizer damage, stain and dirt on product. When necessary to take out the products from some place at low temperature for test, etc.  
It is required for them to be warmed up in a container once at the temperature higher than that of room.

(7) Touching the display area and contact terminals with bare hands and contaminating them are prohibited, because the stain on the display area and poor insulation between terminals are often caused by being touched by bare hands.  
(there are some cosmetics detrimental to polarizers.)

(8) In general the quality of glass is fragile so that it tends to be cracked or chipped in handling, specially on its periphery. Be careful not to give it sharp shock caused by dropping down, etc.

#### 11.5 CAUTION FOR OPERATION

- (1) It is an indispensable condition to drive LCDs within the specified voltage limit since the higher voltage than the limit causes the shorter LCD life. An electrochemical reaction due to direct current causes LCDs undesirable deterioration, so that the use of direct current driver should be avoided.
- (2) Response time will be extremely delayed at lower temperature than the operating temperature range and on the other hand at higher temperature LCDs show dark bull color in them. However those phenomena do not mean malfunction or out of order with LCDs which will come back in the specified operating temperature range.
- (3) If the display area is pushed hard during operation, some font will be abnormally displayed but it resumes normal condition after turning off once.
- (4) A slight dew depositing on terminals is a cause for electrochemical reaction resulting in terminal open circuit. Usage under the relative condition of 40°C 50%RH or less is required.

#### 11.6 STORAGE

In case of storing for a long period of time (for instance, for years) for the purpose of replacement use, the following ways are recommended.

- (1) Storage in a polyethylene bag with the opening sealed so as not to enter fresh air outside in it, and with no desiccant.
- (2) Placing in a dark place where neither exposure to direct sunlight nor light is, keeping temperature in the range from 0°C to 35°C.
- (2) Storage with no touch on polarizer surface by anything else. (it is not recommended to store them as they have been contained in the inner container at the time of delivery from us.)

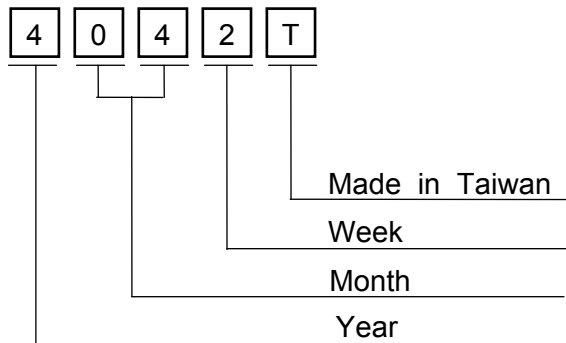
#### 11.7 SAFETY

- (1) It is recommendable to crash damage or unnecessary LCD's into pieces and wash off liquid crystal by either of solvents such as acetone and ethanol, which should be burned up later.
- (2) When any liquid leaked out of a damage glass cell comes in contact with your hands, please wash it off well with soap and water.

## 12. DESIGNATION OF LOT MARK

LOT MARK

LOT MARK IS CONSISTED OF 4 DIGITS NUMBER.



YEAR	FIGURE IN LOT MARK
2012	2
2013	3
2014	4
2015	5
2016	6

Note 1 : Some products have alphabet at the end or the first.

MONTH	FIGURE IN LOT MARK	MONTH	FIGURE IN LOT MARK
Jan.	01	Jul.	07
Feb.	02	Aug.	08
Mar.	03	Sep.	09
Apr.	04	Oct.	10
May	05	Nov.	11
Jun.	06	Dec.	12

WEEK (DAY IN CALENDAR)	FIGURE IN LOT MARK
01~07	1
08~14	2
15~21	3
22~28	4
29~31	5

### 12.2 REVISION

REV No.	ITEM	NOTE
-	CFL I/F Connector : Mitsumi M63M83 - 04	-
A	CFL I/F Connector : JAE IL-G-4S-S3C2-SA	7102T
B	M count IC change	-
C	Controller IC Change	PCN0768

### 12.3 LOCATION OF LOT MARK

on the back side of LCM

4 0 4 2 T

### 13. PRECAUTION FOR USE

13.1 A limit sample should be provided by the both parties on an occasion when the both parties agreed its necessity. Judgment by a limit sample shall take effect after the limit sample has been established and confirmed by the both parties.

13.2 On the following occasions, the handling of the problem should be decided through discussion and agreement between responsible persons of the both parties.

- (1) When a question is arisen in the specifications.
- (2) When a new problem is arisen which is not specified in this specifications.
- (3) When an inspection specifications change or operating condition change in customer is reported to KOE, and some problem is arisen in this specification due to the change.
- (4) when a new problem is arisen at the customer's operating set for sample evaluation in the customer site.

The precaution that should be observed when handling LCM have been explained above. If any points are unclear or if you have any request , please contact KOE.

## 14. TOUCH PANEL SPECIFICATION

### 14.1 RATINGS

#### 14.1.1 ABSOLUTE MAXIMUM RATINGS

ITEM	SPECIFICATION	COMMENT
Operating Voltage	7V	Without Condensation
Contact Current	20mA	
Operating Temperature	0~55°C 20~85%RH	
Storage Temperature	-20~70°C 20~85%RH	

#### 14.1.2 OPERATING CONDITIONS

ITEM	SPECIFICATION
Operating Voltage	5VDC
Contact Current	10 ~ 20 mA
Actuation Force	1.2N max.

### 14.2 MECHANICAL STRENGTH

#### 14.2.1 INPUT METHOD & ACTUATION FORCE

INPUT METHOD	ACTUATION FORCE	COMMENT
PEN	1.2N max.	R0.8, Polyacetal pen

#### 14.2.2 SURFACE HARDNESS

(2h min.)

### 14.3 OPTICAL CHARACTERISTICS

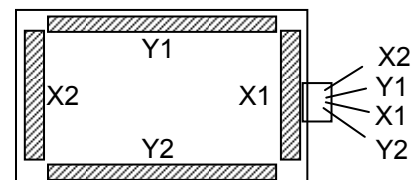
#### 14.3.1 TRANSPARENCY : (76% min.)

#### 14.3.2 HAZE : (5% max.)

### 14.4 ELECTRICAL CHARACTERISTICS

#### 14.4.1 CONDUCTIVE RESISTANCE

TERMINAL	CONDUCTIVE RESISTANCE
X1-X2	(150~1300Ω)
Y1-Y2	(150~1300Ω)



#### 14.4.2 INSULATION RESISTANCE

TERMINAL	INSULATION RESISTANCE	TESTING VOLTAGE
X-Y	(20MΩ)	25VDC

#### 14.4.3 BOUNCE CHATTERING

10msec max.



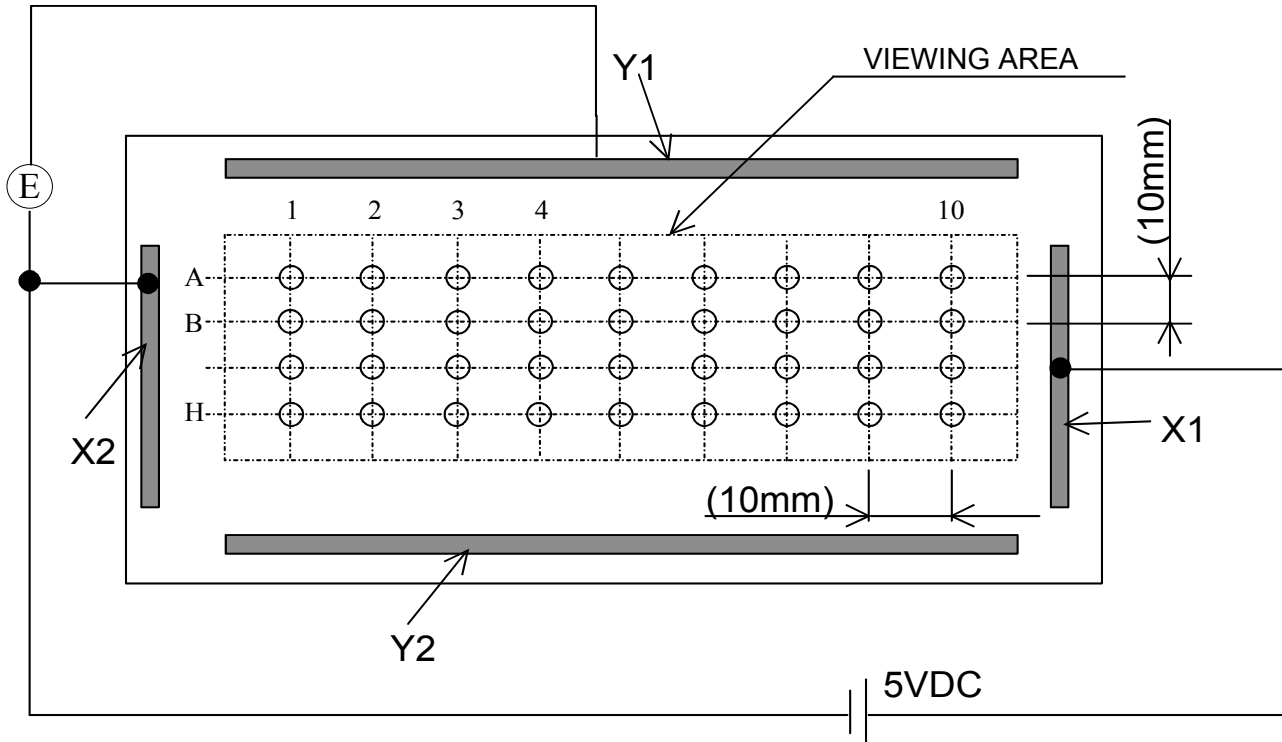
14.4.4 LINEARITY

(1) LINEARITY

LINEARITY DEVIATION : (2% max.)

(2) TESTING CIRCUIT

(a) Y AXIS LINEARITY TESTING METHOD , 100g , VX1-VX2=5V , VOUT=VY1.

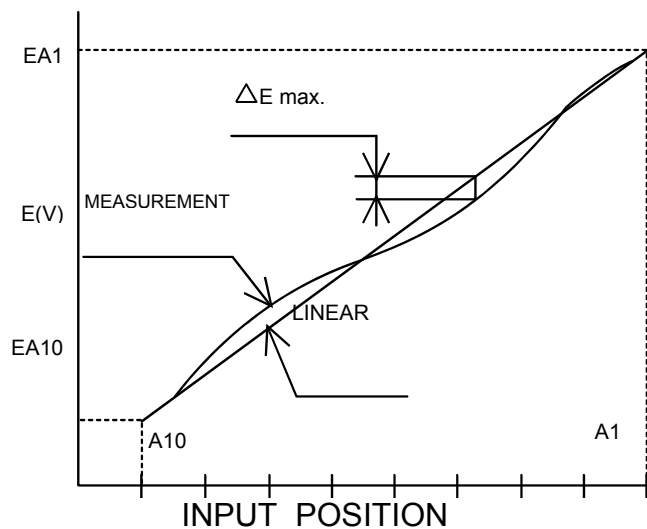


(b) X AXIS LINEARITY METHOD VY1-Y2=5V, VOCH=VX1

(3) CALCULATION

(a) Y AXIS LINEARITY

$$\text{LINEARITY} = \frac{\Delta E \text{ max.}}{E A1 - E A10} \times 100(\%)$$

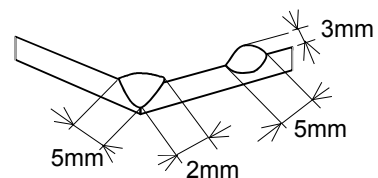


#### 14.5 ENVIRONMENTAL TESTING

ITEM	CONDITIONS	CRITERIA
High Temperature Storage	( 70°C / 120h )	After testing must to meet the specifications of the electrical, mechanical & optical characteristics
Low Temperature Storage	( -20 / 120h )	
Temperature Cycle	( -20°C ↔ 70°C ) ( (60) (60) (60) : Minutes ) ( 10 Cycles )	
Humidity Storage	( 60°C , 90%RH. 120h )	
Durability for Keystroke	( 1 million Touch / 250gf ) ( 0.1 million Life / 250gf )	

#### 14.6 APPEARANCE SPECIFICATION

Description		Reject criteria
Film dent		$D > 0.3$ : To be zero
Foreign Material Between Glass & Film	Dot type	$0.3 \geq D > 0.2$ : To be max 2points interval of faults is 50mm min. $0.2 \geq D$ : None-specify
	Line type	$W \geq 0.1$ : refer to "Dot type" $0.1 > W \geq 0.05$ With $L \geq 5$ : To be zero
Scratch		$0.1 > W \geq 0.05$ With $L < 5$ : To be max 2points interval of faults is 50mm min. $0.5 > W$ : None-specify W : Width [mm] L : Length [mm]
Film dot type blur		Area $0.5\text{mm}^2 \leq$ : To be zero
Film hard-coat Missing		Area $0.3\text{mm}^2 \leq < 0.5\text{mm}^2$ : To be max. 5 points Area $0.3\text{mm}^2 \leq$ : None-specify
Glass flaw		To be no flaw which size is over the drawing specified as Below. Number of flaw is none-specify. Traveling flaw is none. Flaw of thickness-direction Size is glass-thickness max.



#### 14.7 SAFETY AND ATTENTIONS

- (1) UV protection is recommended to avoid the possibility of performance degrading when touch panel is likely applied under UV environment for a long period of time.