



Product Specification

SPECIFICATION FOR APPROVAL

() Preliminary Specification
(◆) Final Specification

| | |
|-------|-------------------|
| Title | 15.0" XGA TFT LCD |
|-------|-------------------|

| | |
|-------|---------|
| BUYER | General |
| MODEL | |

| | |
|----------|--------------------------|
| SUPPLIER | LG.Philips LCD CO., Ltd. |
| *MODEL | LP150X09 |
| SUFFIX | A5K1 |

*When you obtain standard approval,
please use the above model name without suffix

| SIGNATURE | DATE |
|---------------|-------|
| _____ / _____ | _____ |
| _____ / _____ | _____ |
| _____ / _____ | _____ |

Please return 1 copy for your confirmation with your signature and comments.

| APPROVED BY | DATE |
|-----------------------|-------|
| J. H. Lee / S.Manager | _____ |
| REVIEWED BY | |
| G. J. Han / Manager | |
| S. M. Lee / Manager | |
| PREPARED BY | |
| J. H. Park / Engineer | |
| J.H. Kim / Engineer | |

Product Engineering Dept.
LG. Philips LCD Co., Ltd

**Product Specification****Contents**

| NO. | ITEM | Page |
|------------|--|-------------|
| - | COVER | 1 |
| - | CONTENTS | 2 |
| - | RECORD OF REVISIONS | 3 |
| 1 | GENERAL DESCRIPTION | 4 |
| 2 | ABSOLUTE MAXIMUM RATINGS | 5 |
| 3 | ELECTRICAL SPECIFICATIONS | 6 |
| 3-1 | ELECTRICAL CHARACTERISTICS | 6 |
| 3-2 | INTERFACE CONNECTIONS | 8 |
| 3-3 | SIGNAL TIMING SPECIFICATIONS | 9 |
| 3-4 | SIGNAL TIMING WAVEFORMS | 9 |
| 3-5 | COLOR INPUT DATA REFERNECE | 10 |
| 3-6 | POWER SEQUENCE | 11 |
| 4 | OPTICAL SPECIFICATIONS | 12 |
| 5 | MECHANICAL CHARACTERISTICS | 16 |
| 6 | RELIABILITY | 20 |
| 7 | INTERNATIONAL STANDARDS | 21 |
| 7-1 | SAFETY | 21 |
| 7-2 | EMC | 21 |
| 8 | PACKING | 22 |
| 8-1 | DESIGNATION OF LOT MARK | 22 |
| 8-2 | PAKING FORM | 22 |
| 8-3 | LABEL DESCRIPTION | 23 |
| 9 | PRECAUTIONS | 24 |
| 9-1 | MOUNTING PRECAUTIONS | 24 |
| 9-2 | OPERATING PRECAUTIONS | 24 |
| 9-3 | ELECTROSTATIC DISCHARGE CONTROL | 25 |
| 9-4 | PRECAUTIONS FOR STRONG LIGHT EXPOSURE | 25 |
| 9-5 | STORAGE | 25 |
| 9-6 | HANDLING PRECAUTIONS FOR PROTECTION FILM | 25 |

Product Specification

Records of revision

| Revision No | Revision Date | Page | Description | Note |
|--------------------|----------------------|-------------|---------------------|-------------|
| 1.0 | Mar. 15. 2005 | - | Final Specification | |
| | | | | |
| | | | | |
| | | | | |
| | | | | |
| | | | | |
| | | | | |
| | | | | |
| | | | | |
| | | | | |
| | | | | |
| | | | | |
| | | | | |
| | | | | |
| | | | | |
| | | | | |
| | | | | |
| | | | | |
| | | | | |
| | | | | |
| | | | | |
| | | | | |
| | | | | |
| | | | | |
| | | | | |

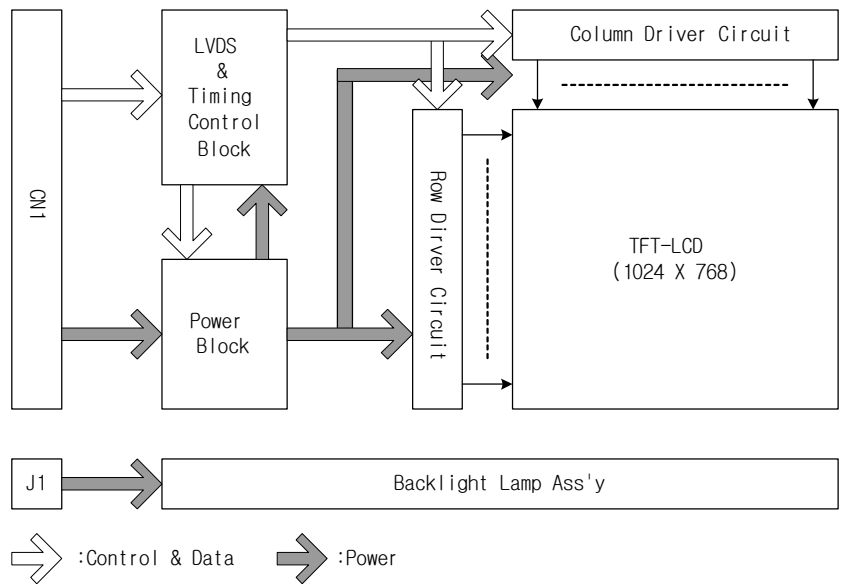
Product Specification

1. General Description

The LP150X09 is a Color Active Matrix Liquid Crystal Display with an integral Cold Cathode Fluorescent Lamp(CCFL) backlight system. The matrix employs a-Si Thin Film Transistor as the active element. It is a transmissive type display operating in the normally white mode. This TFT-LCD has a 15.0 inch diagonally measured active display area with XGA resolution(768 vertical by 1024 horizontal pixel array). Each pixel is divided into Red, Green and Blue sub-pixels or dots which are arranged in vertical stripes. Gray scale or the brightness of the sub-pixel color is determined with a 6-bit gray scale signal for each dot, thus, presenting a palette of more than 262,144 colors.

The LP150X09 has been designed to apply the interface method that enables low power, high speed, low EMI. Flat Link must be used as a LVDS(Low Voltage Differential Signaling) chip.

The LP150X09 is intended to support applications where thin thickness, low power are critical factors and graphic displays are important. In combination with the vertical arrangement of the sub-pixels, the LP150X09 characteristics provide an excellent flat display for office automation products such as Notebook PC.



General Features

| | |
|------------------------|---|
| Active screen size | 15.0 inch(38.1cm) diagonal |
| Outline Dimension | 317.3(H) x 241.5(V) x 5.7(D) mm(Typ) |
| Pixel Pitch | 0.297(H) x 0.297(V) mm |
| Pixel format | 1024 horiz. By 768 vert. Pixels RGB stripes arrangement |
| Color depth | 6-bit, 262,144 colors |
| Luminance, white | 200 cd/m ² (Typ.) Center 1Point |
| Power Consumption | 4.91 W (Windows Typ) |
| Weight | 500g(Typ.) |
| Display operating mode | Transmissive mode, normally white |
| Surface treatments | Anti-glare & hard coating 2H, Anti-Reflection |

Product Specification

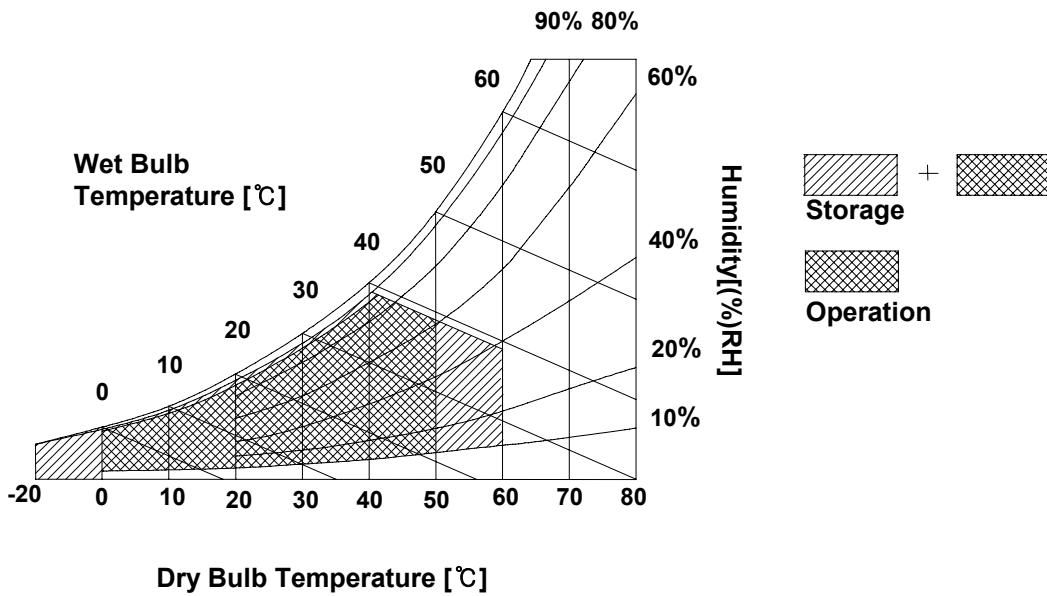
2. Absolute Maximum Ratings

The following are maximum values which, if exceeded, may cause faulty operation or damage to the unit.

Table 1. ABSOLUTE MAXIMUM RATINGS

| Parameter | symbol | Values | | Units | Notes |
|----------------------------|-----------------|--------|------|-------|-------------|
| | | Min. | Max. | | |
| Power Input Voltage | V _{CC} | -0.3 | 4.0 | Vdc | At 25 ± 5°C |
| Operating Temperature | T _{OP} | 0 | 50 | °C | 1 |
| Storage Temperature | T _{ST} | -20 | 60 | °C | 1 |
| Operating Ambient Humidity | H _{OP} | 10 | 90 | %RH | 1 |
| Storage Humidity | H _{ST} | 10 | 90 | %RH | 1 |

Note : 1. Temperature and relative humidity range are shown in the figure below.
Wet bulb temperature should be 39 °C Max, and no condensation of water.



Product Specification

3. Electrical Specifications

3-1. Electrical Characteristics

The LP150X09 requires two power inputs. One is employed to power the LCD electronics and to drive the TFT array and liquid crystal. The second input which powers the CCFL, is typically generated by an inverter. The inverter is an external unit to the LCD.

| Parameter | Symbol | Values | | | Unit | Notes |
|--------------------------------|-----------------|------------|------------|------------|-------------------|-------|
| | | Min | Typ | Max | | |
| MODULE : | | | | | | |
| Power Supply Input Voltage | VCC | 3.0 | 3.3 | 3.6 | Vdc | |
| Power Supply Input Current | I _{CC} | - | 245 | 285 | mA | 1 |
| Window | | - | 275 | 315 | | |
| Full Black 2 by 2 sub pixel | | - | 300 | 345 | | |
| Power Consumption | P _c | - | 0.81 | 0.94 | Watt | 1 |
| Differential Impedance | Z _m | 90 | 100 | 110 | ohm | 2 |
| LAMP : | | | | | | |
| Operating Voltage | V _{BL} | 660(6.5mA) | 680(6.0mA) | 860(2.3mA) | V _{RMS} | 3 |
| Operating Current | I _{BL} | 2.3 | 6.0 | 6.5 | mA _{RMS} | |
| Established Starting Voltage | V _s | - | - | - | - | 4 |
| | | - | - | 1230 | V _{RMS} | |
| | | - | - | 1400 | V _{RMS} | |
| Operating Frequency | f _{BL} | 40 | 60 | 80 | kHz | 5 |
| Discharge Stabilization Time | T _s | - | - | 3 | Min | 6 |
| Power Consumption | P _{BL} | - | 4.1 | 4.5 | Watt | 7 |
| Life Time | | 10,000 | - | - | Hrs | 8 |

Notes : **The design of the inverter must have specification for the lamp in LCD Assembly.**

The performance of the Lamp in LCM, for example life time or brightness, is extremely influenced by the characteristics of the DC-AC inverter. So all the parameters of an inverter should be carefully designed so as not to produce too much leakage current from high-voltage output of the inverter.

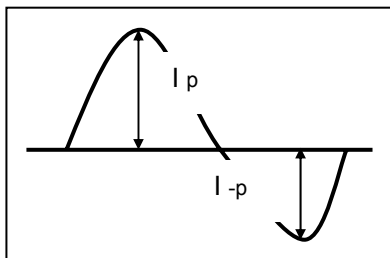
When you design or order the inverter, please make sure unwanted lighting caused by the mismatch of the lamp and the inverter(no lighting, flicker, etc) never occurs. When you confirm it, the LCD Assembly should be operated in the same condition as installed in your instrument.

1. The specified current and power consumption are under the VCC=3.3V, 25°C, f_v=60Hz condition whereas Window pattern is displayed and f_v is the frame frequency.
2. This impedance value is needed to proper display and measured from LVDS T_x to the mating connector.
3. The variance of the voltage is ± 10%.
4. The voltage above V_s should be applied to the lamps for more than 1 second for start-up. Otherwise, the lamps may not be turned on. The used lamp current is the lamp typical current.



Product Specification

5. The output of the inverter must have symmetrical (negative and positive) voltage waveform and symmetrical current waveform. (Unsymmetrical ratio is less than 10%) Please do not use the inverter which has unsymmetrical voltage and unsymmetrical current and spike wave. Lamp frequency may produce interference with horizontal synchronous frequency and as a result this may cause beat on the display. Therefore lamp frequency shall be as away possible from the horizontal synchronous frequency and from its harmonics in order to prevent interference.
6. Let's define the brightness of the lamp after being lighted for 5 minutes as 100%. T_s is the time required for the brightness of the center of the lamp to be not less than 95%.
7. The lamp power consumption shown above does not include loss of external inverter. The used lamp current is the typical lamp current ($6.0\text{mA}_{\text{RMS}}$).
8. The life time is determined as the time at which brightness of the lamp is 50% compared to that of initial value at the typical lamp current on condition of continuous operating at $25 \pm 2^\circ\text{C}$.
- * Requirements for a system inverter design, which is intended to have a better display performance, a better power efficiency and a more reliable lamp, are following. It shall help increase the lamp lifetime and reduce leakage current.
- The asymmetry rate of the inverter waveform should be less than 10%.
 - The distortion rate of the waveform should be within $\sqrt{2} \pm 10\%$.
- * Inverter output waveform had better be more similar to ideal sine wave.



* Asymmetry rate:

$$|I_p - I_{-p}| / I_{\text{rms}} * 100\%$$

* Distortion rate

$$I_p \text{ (or } I_{-p}) / I_{\text{rms}}$$

- * Do not attach a conducting tape to lamp connecting wire.
If the lamp wire attach to a conducting tape, TFT-LCD Module has a low luminance and the inverter has abnormal action. Because leakage current is occurred between lamp wire and conducting tape.

Product Specification
3-2. Interface Connections


Interface chip must be used FlatLink, part No. SN75LVDS84(Transmitter made by Texas Instrument Inc or equivalence).

This LCD employs two interface connections, a 30 pin connector is used for the module electronics interface and the other connector is used for the integral backlight system.

The electronics interface connector is a model FI-XB30SR-HF11 manufactured by JAE

The pin configuration for the connector is shown in the table 3.

Table 3. MODULE CONNECTOR PIN CONFIGURATION(LVDS)

| Pin | Symbol | Description | Notes |
|-----|-----------|-----------------------|---|
| 1 | GND | Ground | 1. LVDS Interfacing 1.1 System : SN75LVDS84(TI) or equivalent *Pin to Pin compatible with Thine LVDS 1.2 LCD : THC63LVD64A(THINE) 2. Connector 2.1 LCD : JAE FI-XB30SR-HF11 2.2 Mating : JAE FI-X30M or equivalent 2.3 Connector pin arrangement  [LCD Module Rear View] |
| 2 | Vcc | Power(3.3V) | |
| 3 | Vcc | Power(3.3V) | |
| 4 | V_EDID | No Connection | |
| 5 | NC | Test Pin for supplier | |
| 6 | CLK_EDID | No Connection | |
| 7 | DATA_EDID | No Connection | |
| 8 | A1M | Differential Signal | |
| 9 | A1P | Differential Signal | |
| 10 | GND | Ground | |
| 11 | A2M | Differential Signal | |
| 12 | A2P | Differential Signal | |
| 13 | GND | Ground | |
| 14 | A3M | Differential Signal | |
| 15 | A3P | Differential Signal | |
| 16 | GND | Ground | |
| 17 | CLKM | Differential Signal | |
| 18 | CLKP | Differential Signal | |
| 19 | GND | Ground | |
| 20 | NC | No Connection | |
| 21 | NC | No Connection | |
| 22 | GND | Ground | |
| 23 | NC | No Connection | |
| 24 | NC | No Connection | |
| 25 | GND | Ground | |
| 26 | NC | No Connection | |
| 27 | NC | No Connection | |
| 28 | GND | Ground | |
| 29 | NC | No Connection | |
| 30 | NC | No Connection | |

The backlight interface connector is a model BHSR-02VS-1, manufactured by JST. The mating connector part number is SM02B-BHS-1 or equivalent.

The pin configuration for the connector is shown in the table below.

Table 4. BACKLIGHT CONNECTOR PIN CONFIGURATION

| Pin | Symbol | Description | Notes |
|-----|--------|--|-------|
| 1 | HV | Power supply for lamp (High voltage side) | 1 |
| 2 | LV | Power supply for lamp (Low voltage side) | 1 |

Notes : 1. The high voltage side terminal is colored pink. The low voltage side terminal is white

Product Specification

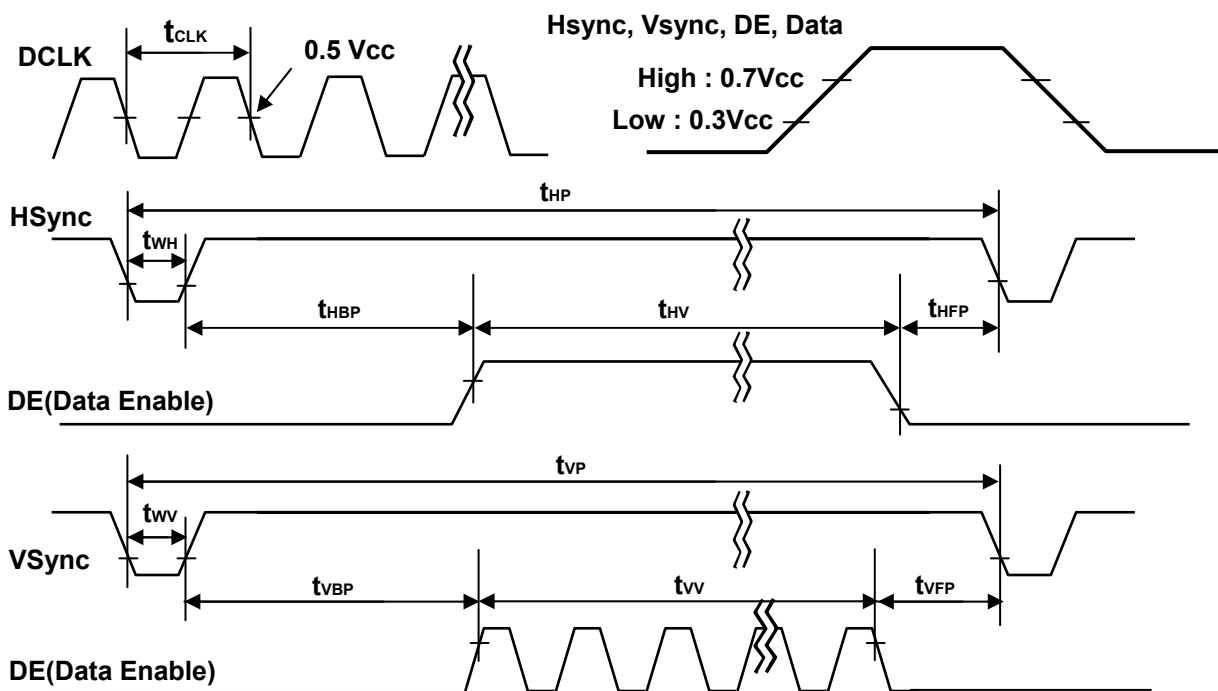
3-3. Signal Timing Specifications

This is the signal timing required at the input of the User connector. All of the interface signal timing should be satisfied with the following specifications and specifications of LVDS Tx/Rx for it's proper operation.

Table 5. Timing Table

| | ITEM | SYMBOL | MIN | TYP | MAX | UNIT | NOTES |
|------------------|------------------------|-----------|------|------|------|-----------|-----------------------------------|
| Dclk | Frequency | - | 40 | 65 | 68 | MHZ | |
| Hsync | Period | t_{HP} | 1206 | 1344 | 1364 | t_{CLK} | |
| | Width | t_{WH} | 8 | 136 | - | | |
| Vsync | Period | t_{VP} | 780 | 806 | 830 | t_{HP} | |
| | Frequency | f_V | 40 | 60 | 60 | Hz | Don't care Flicker level at 40 Hz |
| | Width | t_{WV} | 1 | 6 | - | t_{HP} | |
| DE (Data Enable) | Horizontal Valid | t_{HV} | 1024 | 1024 | 1024 | t_{CLK} | |
| | Horizontal Back Porch | t_{HBP} | 10 | 160 | - | | |
| | Horizontal Front Porch | t_{HFP} | 10 | 24 | - | | |
| | Vertical Valid | t_{VV} | 768 | 768 | 768 | t_{HP} | |
| | Vertical Back Porch | t_{VBP} | 7 | 29 | - | | |
| | Vertical Front Porch | t_{VFP} | 1 | 3 | - | | |

3-4. Signal Timing Waveforms





Product Specification

3-5. Color Input Data Reference

The brightness of each primary color(red,green and blue) is based on the 6-bit gray scale data input for the color ; the higher the binary input, the brighter the color. The table below provides a reference for color versus data input.

Table 6. COLOR DATA REFERENCE

| Color | | Input Color Data | | | | | | | | | | | | | | | | |
|--------------|-----------------|------------------|----|----|-----|----|----|-------|----|----|-----|----|----|------|----|-----|----|----|
| | | Red | | | | | | Green | | | | | | Blue | | | | |
| | | MSB | | | LSB | | | MSB | | | LSB | | | MSB | | LSB | | |
| | | R5 | R4 | R3 | R2 | R1 | R0 | G5 | G4 | G3 | G2 | G1 | G0 | B5 | B4 | B3 | B2 | B1 |
| Basic Colors | Black | 0 | 0 | 0 | 0 | 0 | 0 | 0 | 0 | 0 | 0 | 0 | 0 | 0 | 0 | 0 | 0 | 0 |
| | Red(63) | 1 | 1 | 1 | 1 | 1 | 1 | 0 | 0 | 0 | 0 | 0 | 0 | 0 | 0 | 0 | 0 | 0 |
| | Green(63) | 0 | 0 | 0 | 0 | 0 | 0 | 1 | 1 | 1 | 1 | 1 | 1 | 0 | 0 | 0 | 0 | 0 |
| | Blue(63) | 0 | 0 | 0 | 0 | 0 | 0 | 0 | 0 | 0 | 0 | 0 | 1 | 1 | 1 | 1 | 1 | 1 |
| | Cyan | 0 | 0 | 0 | 0 | 0 | 0 | 1 | 1 | 1 | 1 | 1 | 1 | 1 | 1 | 1 | 1 | 1 |
| | Magenta | 1 | 1 | 1 | 1 | 1 | 1 | 0 | 0 | 0 | 0 | 0 | 0 | 1 | 1 | 1 | 1 | 1 |
| | Yellow | 1 | 1 | 1 | 1 | 1 | 1 | 1 | 1 | 1 | 1 | 1 | 1 | 0 | 0 | 0 | 0 | 0 |
| | White | 1 | 1 | 1 | 1 | 1 | 1 | 1 | 1 | 1 | 1 | 1 | 1 | 1 | 1 | 1 | 1 | 1 |
| Red | Red(00) Dark | 0 | 0 | 0 | 0 | 0 | 0 | 0 | 0 | 0 | 0 | 0 | 0 | 0 | 0 | 0 | 0 | 0 |
| | Red(01) | 0 | 0 | 0 | 0 | 0 | 1 | 0 | 0 | 0 | 0 | 0 | 0 | 0 | 0 | 0 | 0 | 0 |
| | Red(02) | 0 | 0 | 0 | 0 | 1 | 0 | 0 | 0 | 0 | 0 | 0 | 0 | 0 | 0 | 0 | 0 | 0 |
| | : | : | : | : | : | : | : | : | : | : | : | : | : | : | : | : | : | : |
| | Red(61) | 1 | 1 | 1 | 1 | 0 | 1 | 0 | 0 | 0 | 0 | 0 | 0 | 0 | 0 | 0 | 0 | 0 |
| | Red(62) | 1 | 1 | 1 | 1 | 1 | 0 | 0 | 0 | 0 | 0 | 0 | 0 | 0 | 0 | 0 | 0 | 0 |
| | Red(63) Bright | 1 | 1 | 1 | 1 | 1 | 1 | 0 | 0 | 0 | 0 | 0 | 0 | 0 | 0 | 0 | 0 | 0 |
| Green | Green(00)Dark | 0 | 0 | 0 | 0 | 0 | 0 | 0 | 0 | 0 | 0 | 0 | 0 | 0 | 0 | 0 | 0 | 0 |
| | Green(01) | 0 | 0 | 0 | 0 | 0 | 0 | 0 | 0 | 0 | 0 | 1 | 0 | 0 | 0 | 0 | 0 | 0 |
| | Green(02) | 0 | 0 | 0 | 0 | 0 | 0 | 0 | 0 | 0 | 1 | 0 | 0 | 0 | 0 | 0 | 0 | 0 |
| | : | : | : | : | : | : | : | : | : | : | : | : | : | : | : | : | : | : |
| | Green(61) | 0 | 0 | 0 | 0 | 0 | 0 | 1 | 1 | 1 | 1 | 0 | 1 | 0 | 0 | 0 | 0 | 0 |
| | Green(62) | 0 | 0 | 0 | 0 | 0 | 0 | 1 | 1 | 1 | 1 | 1 | 0 | 0 | 0 | 0 | 0 | 0 |
| | Green(63)Bright | 0 | 0 | 0 | 0 | 0 | 0 | 1 | 1 | 1 | 1 | 1 | 1 | 0 | 0 | 0 | 0 | 0 |
| Blue | Blue(00) Dark | 0 | 0 | 0 | 0 | 0 | 0 | 0 | 0 | 0 | 0 | 0 | 0 | 0 | 0 | 0 | 0 | 0 |
| | Blue(01) | 0 | 0 | 0 | 0 | 0 | 0 | 0 | 0 | 0 | 0 | 0 | 0 | 0 | 0 | 0 | 0 | 1 |
| | Blue(02) | 0 | 0 | 0 | 0 | 0 | 0 | 0 | 0 | 0 | 0 | 0 | 0 | 0 | 0 | 0 | 1 | 0 |
| | : | : | : | : | : | : | : | : | : | : | : | : | : | : | : | : | : | : |
| | Blue(61) | 0 | 0 | 0 | 0 | 0 | 0 | 0 | 0 | 0 | 0 | 0 | 1 | 1 | 1 | 1 | 0 | 1 |
| | Blue(62) | 0 | 0 | 0 | 0 | 0 | 0 | 0 | 0 | 0 | 0 | 0 | 1 | 1 | 1 | 1 | 1 | 0 |
| | Blue(63) Bright | 0 | 0 | 0 | 0 | 0 | 0 | 0 | 0 | 0 | 0 | 0 | 1 | 1 | 1 | 1 | 1 | 1 |

Product Specification

3-6. Power Sequence

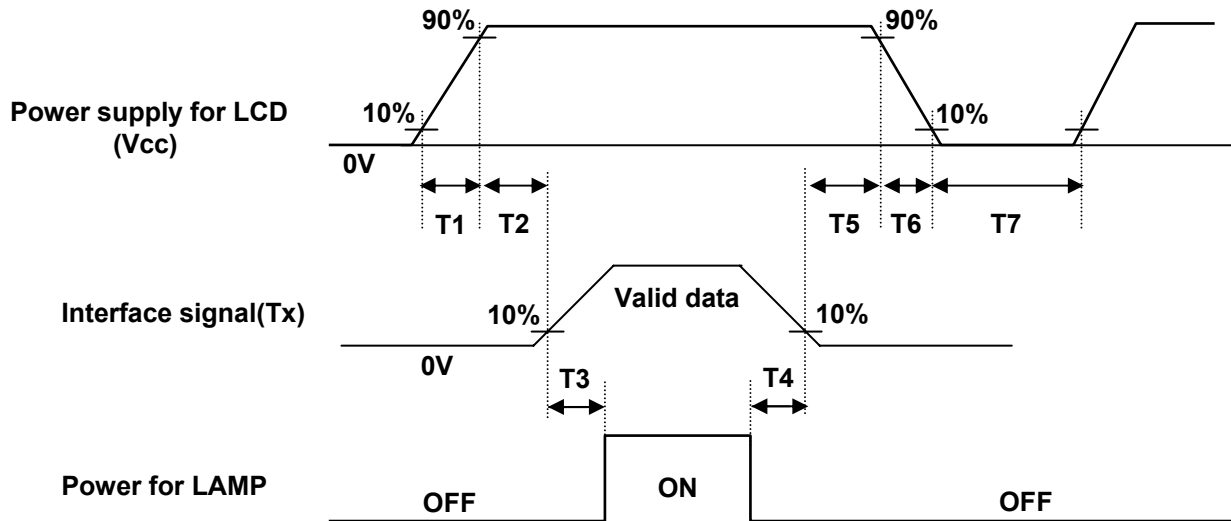


Table 7. POWER SEQUENCE TABLE

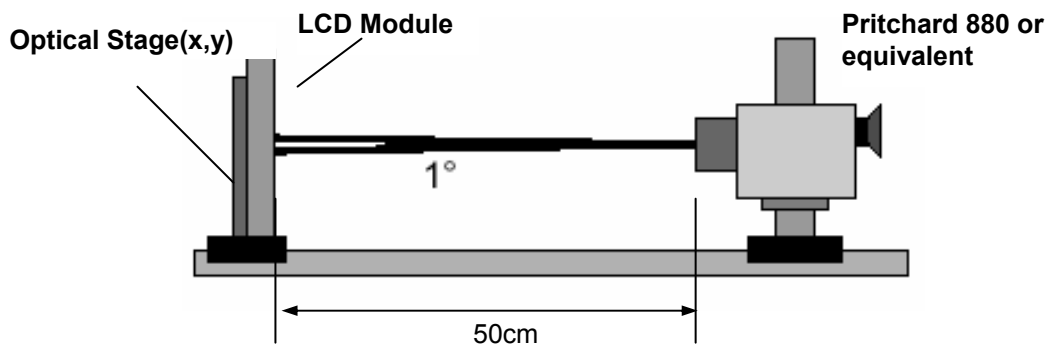
| Parameter | Values | | | Units |
|-----------|--------|------|------|-------|
| | Min. | Typ. | Max. | |
| T 1 | 0 | — | 10 | (ms) |
| T 2 | 0 | — | 50 | (ms) |
| T 3 | 200 | — | — | (ms) |
| T 4 | 0 | — | — | (ms) |
| T 5 | 0 | — | 50 | (ms) |
| T 6 | 0 | — | 300 | (ms) |
| T 7 | 100 | — | — | (ms) |

- Notes :
1. Please avoid floating state of interface signal at invalid period.
 2. When the interface signal is invalid, be sure to pull down the power supply for LCD V_{CC} to 0V.
 3. Lamp power must be turn on after power supply for LCD and interface signals are valid.

Product Specification
4. Optical Specification

Optical characteristics are determined after the unit has been 'ON' and stable for approximately 30 minutes in a dark environment at 25°C. The values specified are at an approximate distance 50cm from the LCD surface at a viewing angle of ϕ and θ equal to 0°.

FIG. 1 presents additional information concerning the measurement equipment and method.

FIG. 1 Optical Characteristic Measurement Equipment and Method

Table 8. OPTICAL CHARACTERISTICS (Ta=25 °C, V_{CC}=3.3V, f_V=60Hz Dclk=65MHz, I_{BL}=6.0mA)

| Parameter | Symbol | Values | | | Units | Notes |
|-----------------------------------|-------------------------|----------|-------|-------|---------------------|-------|
| | | Min. | Typ. | Max. | | |
| Contrast Ratio | CR | 150 | 200 | - | | 1 |
| Surface Luminance, white | L _{WH} | 170 | 200 | - | cd/m ² | 2 |
| Luminance Variation | δ_{WHITE} | 77 55 | - | - | 5points 13points | 3 |
| Response Time | | | | | | 4 |
| Rise Time | Tr _R | - | 10 | 20 | ms | |
| Decay Time | Tr _D | - | 20 | 30 | ms | |
| CIE Color Coordinates | | | | | | |
| Red | XR | 0.558 | 0.588 | 0.618 | | |
| | YR | 0.314 | 0.344 | 0.374 | | |
| Green | XG | 0.290 | 0.320 | 0.350 | | |
| | YG | 0.508 | 0.538 | 0.568 | | |
| Blue | XB | 0.130 | 0.160 | 0.190 | | |
| | YB | 0.116 | 0.146 | 0.176 | | |
| White | XW | 0.285 | 0.313 | 0.341 | | |
| | YW | 0.309 | 0.329 | 0.349 | | |
| Viewing Angle | | | | | | |
| x axis, right($\phi=0^\circ$) | θ_r | 40 | 45 | - | degree | 5 |
| x axis, left ($\phi=180^\circ$) | θ_l | 40 | 45 | - | degree | |
| y axis, up ($\phi=90^\circ$) | θ_u | 10 | 15 | - | degree | |
| y axis, down ($\phi=270^\circ$) | θ_d | 30 | 35 | - | degree | |
| Gray Scale | - | - | - | - | | 6 |

* Measured Inverter : 6632Z-1301A(LG Electronics)

Product Specification

Notes : 1. Contrast Ratio(CR) is defined mathematically as :

$$\text{Contrast Ratio} = \frac{\text{Surface Luminance with all white pixels}}{\text{Surface Luminance with all black pixels}}$$

2. Surface luminance is the **center point** across the LCD surface 50cm from the surface with all pixels displaying white under the condition of $I_{BL}=6.0\text{mA}$. For more information see FIG 1.
3. The variation in surface luminance , **The Panel total variation** (δ_{WHITE}) is determined by measuring L_N at each test position 1 through 13, and then dividing the minimum L_N of 13 points luminance by maximum L_N of 13 points luminance. For more information see FIG 2.

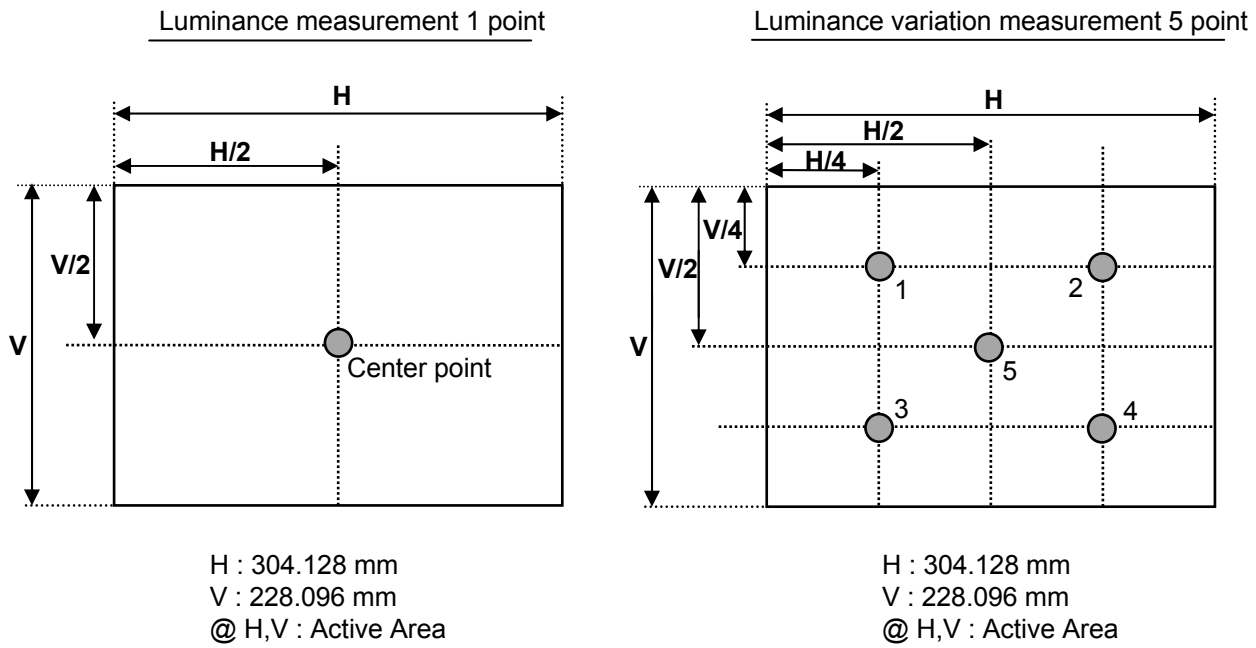
$$\delta_{\text{WHITE}} = \text{Minimum}(L_{N1}, L_{N2}, \dots, L_{N13}) \div \text{Maximum}(L_{N1}, L_{N2}, \dots, L_{N13}) * 100$$
4. Response time is the time required for the display to transition from white to black(Rise Time, Tr_R) and from black to white(Decay Time, Tr_D). For additional information see FIG 3.
5. Viewing angle is the angle at which the contrast ratio is greater than 10. The angles are determined for the horizontal or x axis and the vertical or y axis with respect to the z axis which is normal to the LCD surface. For more information see FIG 4.
6. Gray scale specification

* $f_V=60\text{Hz}$

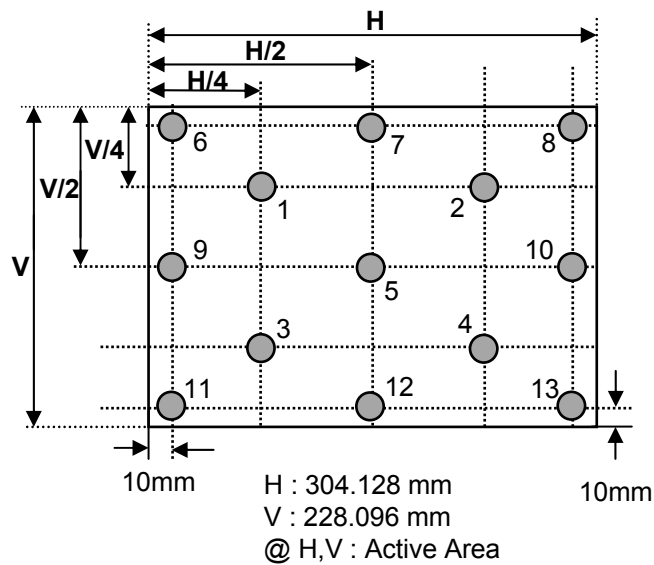
| Gray Level | Luminance(%) (Typ.) |
|------------|------------------------|
| L0 | 0.24 |
| L7 | 0.76 |
| L15 | 3.37 |
| L23 | 9.60 |
| L31 | 21.4 |
| L39 | 37.0 |
| L47 | 56.8 |
| L55 | 79.2 |
| L63 | 100 |

Product Specification

FIG. 2 Luminance & Luminance variation



Luminance variation measurement 13 point



Notes) The Adjacent point must be opposite horizontally or vertically.

Product Specification

FIG. 3 Response Time

The response time is defined as the following figure and shall be measured by switching the input signal for “black” and “white”.

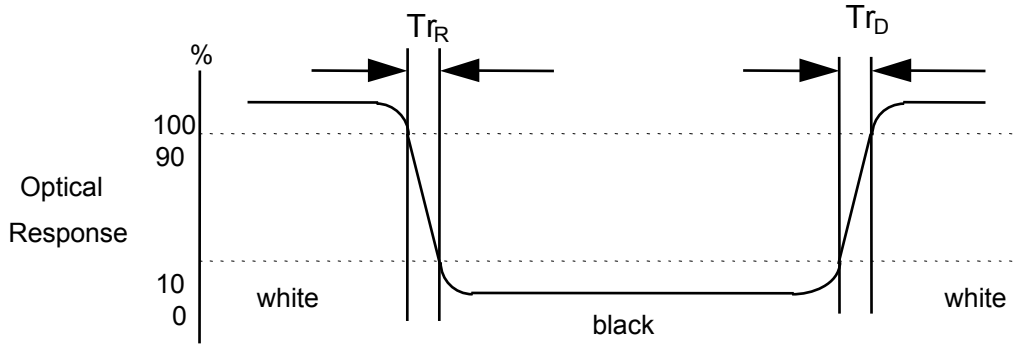
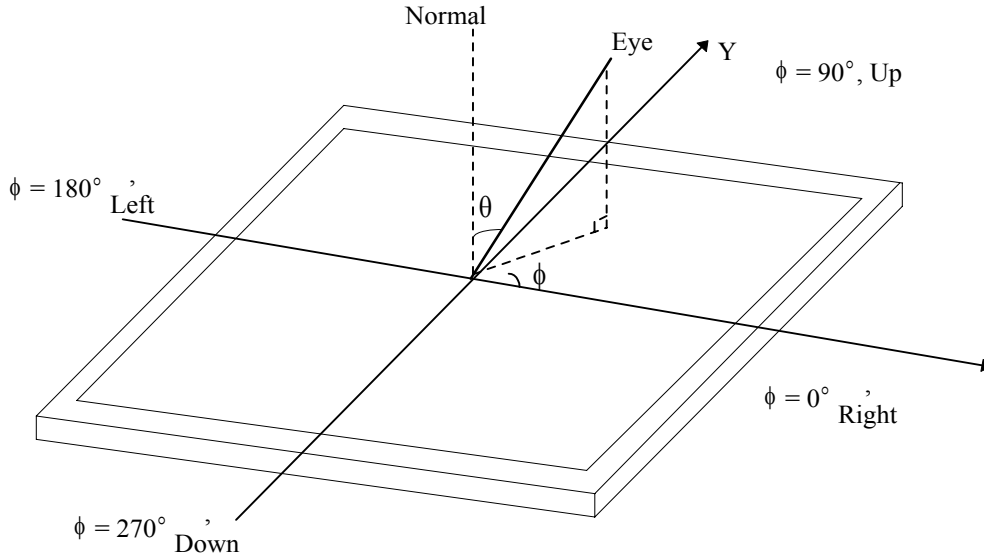


FIG. 4 Viewing angle

<dimension of viewing angle range>



Product Specification

5. Mechanical Characteristics

The contents provide general mechanical characteristics for the model LP150X09. In addition the figures in the next page are detailed mechanical drawing of the LCD.

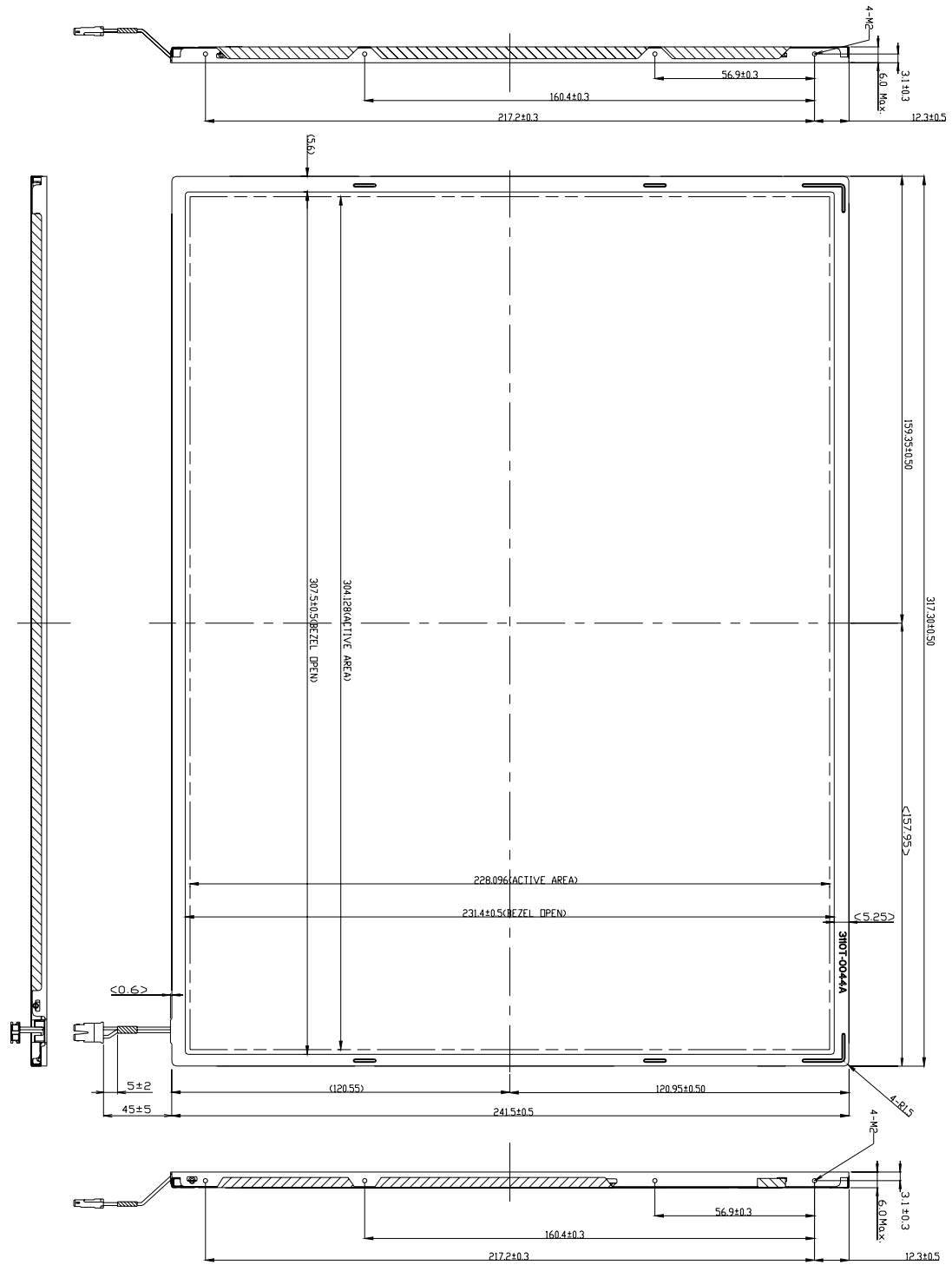
This panel conforms to SPWG Style-B except for the thickness and cable length.

| | | |
|---------------------|--|---------------|
| Outside dimensions | Horizontal | 317.3 ± 0.5mm |
| | Vertical | 241.5 ± 0.5mm |
| | Depth | 5.7 ± 0.3mm |
| Bezel area | Horizontal | 307.5 ± 0.5mm |
| | Vertical | 231.4 ± 0.5mm |
| Active display area | Horizontal | 304.128mm |
| | Vertical | 228.096mm |
| Weight | 500g(Typ.) 515g(Max) | |
| Surface Treatment | Anti-glare & hard coating 2H, Anti-Reflection | |



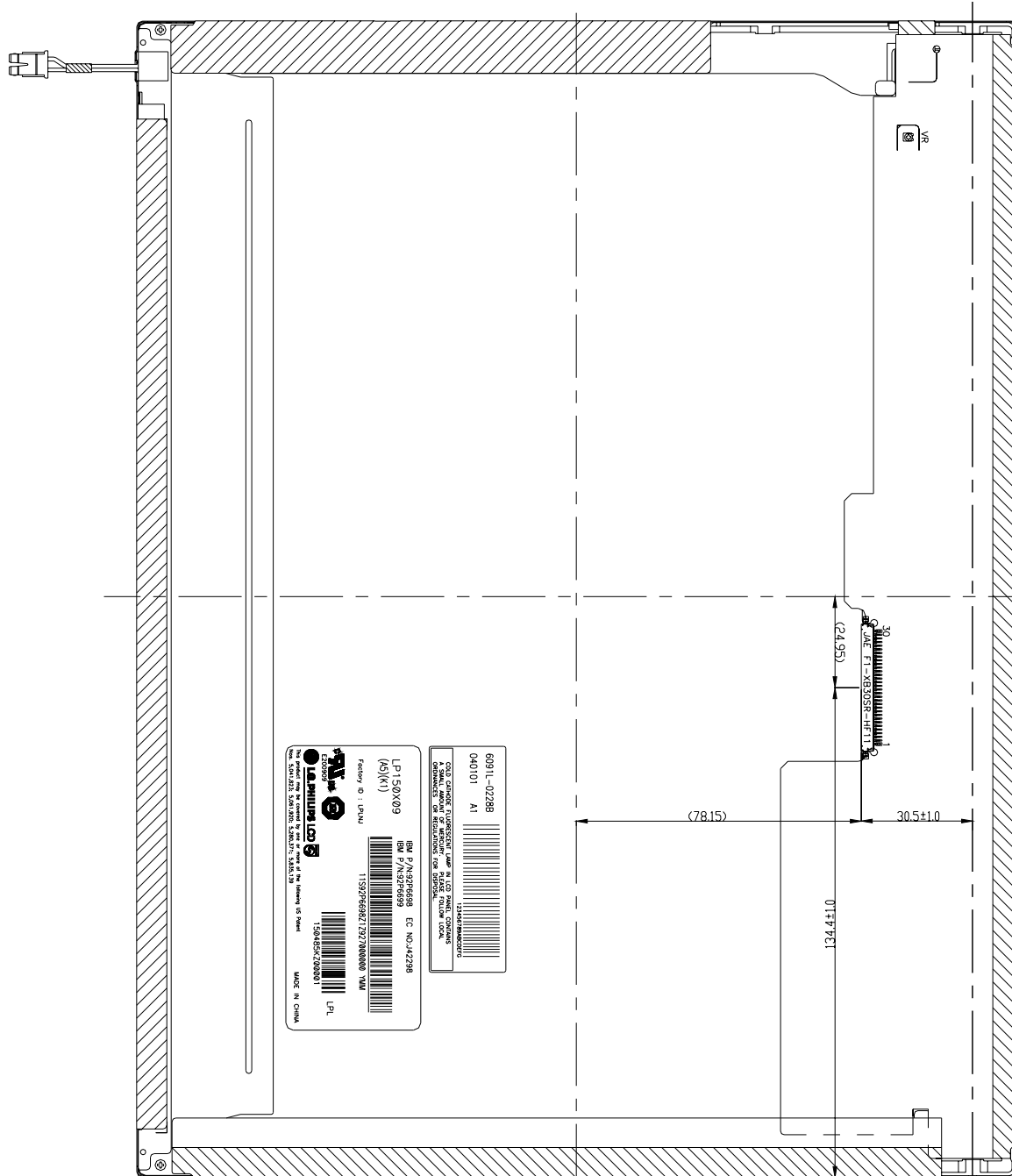
Product Specification

<FRONT VIEW>



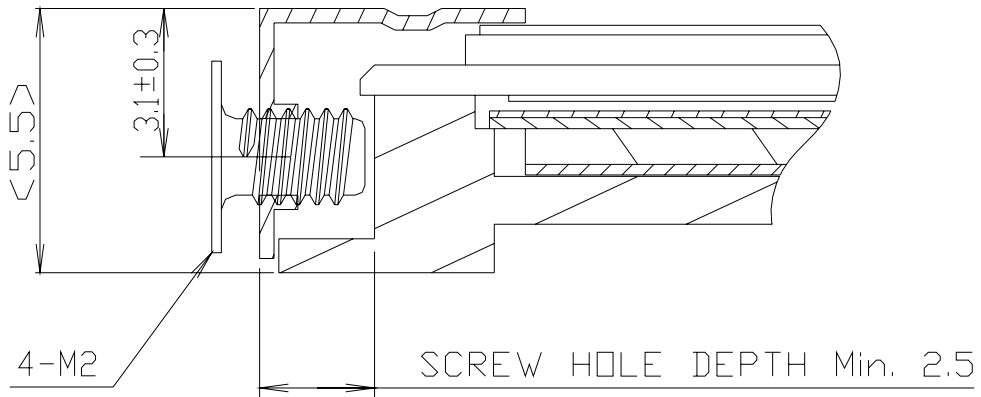
Product Specification

<REAR VIEW>



Product Specification

<DETAIL DESCRIPTION OF SIDE MOUNTING SCREW>



SCREW TORQUE : 2.3~2.5kgf·cm

SECTION "A"-"A"
SCALE 5/1

Notes : 1. Screw plated through the method of non-electrolytic nickel plating is preferred to reduce possibility that results in vertical and/or horizontal line defect due to the conductive particles from screw surface.



Product Specification

6. Reliability

Environment test condition

| No. | Test Item | Conditions |
|-----|---|--|
| 1 | High temperature storage test | Ta= 60°C 240h |
| 2 | Low temperature storage test | Ta= -20°C 240h |
| 3 | High temperature operation test | Ta= 50°C 50%RH 240h |
| 4 | Low temperature operation test | Ta= 0°C 240h |
| 5 | Vibration test (non-operating) | Sine wave, 10 ~ 500 ~ 10Hz, 1.5G, 0.37oct/min 3 axis, 1hour/axis |
| 6 | Shock test (non-operating) | Half sine wave, 100G, 6ms one shock of each six faces(I.e. run 100G 6ms for all six faces) |
| 7 | Altitude operating storage / shipment | 0 ~ 10,000 feet (3,048m) 24Hr 0 ~ 40,000 feet (12,192m) 24Hr |

{ Result Evaluation Criteria }

There should be no change which might affect the practical display function when the display quality test is conducted under normal operating condition.

- ON/OFF Cycle

: The display module will be capable of being operated over 24,000 ON/OFF cycles (Lamp power & Vcc ON/OFF)

- Mean time Between Failure

: The LCD Panel and interface board assembly (excluding the CCFL) have a mean time between failures of 30,000 hours with a confidence level 90%.

**Product Specification****7. International Standards****7-1. Safety**

- a) UL 60950, Third Edition, Underwriters Laboratories, Inc., Dated Dec. 11, 2000.
Standard for Safety of Information Technology Equipment, Including Electrical Business Equipment.
- b) CAN/CSA C22.2, No. 60950, Third Edition, Canadian Standards Association, Dec. 1, 2000.
Standard for Safety of Information Technology Equipment, Including Electrical Business Equipment.
- c) EN 60950 : 2000, Third Edition
IEC 60950 : 1999, Third Edition
European Committee for Electrotechnical Standardization(CENELEC)
EUROPEAN STANDARD for Safety of Information Technology Equipment Including Electrical Business Equipment.

7-2. EMC

- a) ANSI C63.4 "Methods of Measurement of Radio-Noise Emissions from Low-Voltage Electrical and Electrical Equipment in the Range of 9kHz to 40GHz. "American National Standards Institute(ANSI), 1992
- b) C.I.S.P.R "Limits and Methods of Measurement of Radio Interface Characteristics of Information Technology Equipment." International Special Committee on Radio Interference.
- c) EN 55022 "Limits and Methods of Measurement of Radio Interface Characteristics of Information Technology Equipment." European Committee for Electrotechnical Standardization.(CENELEC), 1998 (Including A1: 2000)

Product Specification

8. Packing

8-1. Designation of Lot Mark

a) Lot Mark

| | | | | | | | | | | | | |
|---|---|---|---|---|---|---|---|---|---|---|---|---|
| A | B | C | D | E | F | G | H | I | J | K | L | M |
|---|---|---|---|---|---|---|---|---|---|---|---|---|

A,B,C : SIZE(INCH)

E : MONTH

G : ASSEMBLY CODE

D : YEAR

F : FACTORY CODE

H ~ M : SERIAL NO.

Note

1. YEAR

| | | | | | | | | | | |
|------|------|------|------|------|------|------|------|------|------|------|
| Year | 2001 | 2002 | 2003 | 2004 | 2005 | 2006 | 2007 | 2008 | 2009 | 2010 |
| Mark | 1 | 2 | 3 | 4 | 5 | 6 | 7 | 8 | 9 | 0 |

2. MONTH

| | | | | | | | | | | | | |
|-------|-----|-----|-----|-----|-----|-----|-----|-----|-----|-----|-----|-----|
| Month | Jan | Feb | Mar | Apr | May | Jun | Jul | Aug | Sep | Oct | Nov | Dec |
| Mark | 1 | 2 | 3 | 4 | 5 | 6 | 7 | 8 | 9 | A | B | C |

3. FACTORY CODE

| | | | |
|--------------|----------|-------------|---------|
| Factory Code | LPL Gumi | LPL Nanjing | HEESUNG |
| Mark | K | C | D |

4. SERIAL NO.

| | |
|------|---|
| Mark | 100001~199999, 200001~299999, 300001~399999,, A00001~A99999,, Z00001~Z99999 |
|------|---|

b) Location of Lot Mark

Serial No. is printed on the label. The label is attached to the backside of the LCD module.
This is subject to change without prior notice.

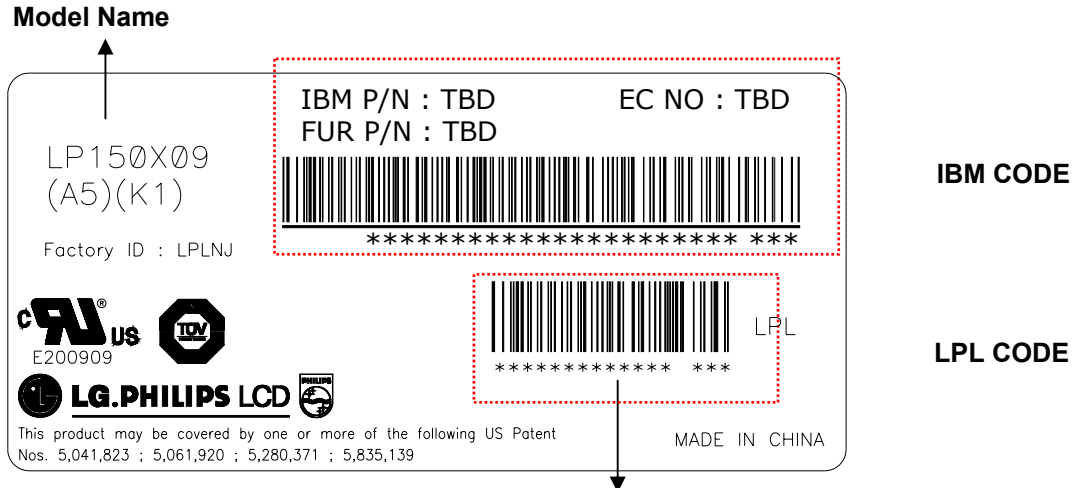
8-2. Packing Form

a) Package quantity in one box : 12 pcs

b) Box size : 376mm X 321mm X 317mm.

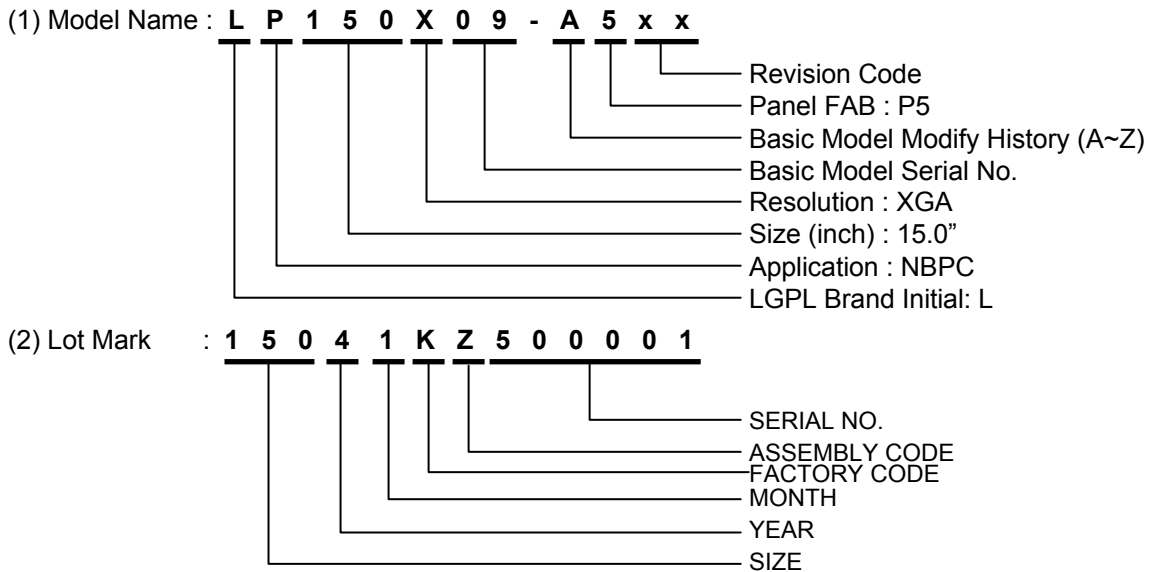
Product Specification

8-3. Label Description



LPL Code

Lot Mark



IBM Code

- 1)IBM P/N :TBD
- 2)EC NO :TBD
- 3)FRU P/N :TBD
- 4)Header Code :TBD



Product Specification

9. PRECAUTIONS

Please pay attention to the following when you use this TFT LCD module.

9-1. MOUNTING PRECAUTIONS

- (1) You must mount a module using holes arranged in four corners.
- (2) You should consider the mounting structure so that uneven force(ex. Twisted stress) is not applied to the module.
And the case on which a module is mounted should have sufficient strength so that external force is not transmitted directly to the module.
- (3) Please attach the surface transparent protective plate to the surface in order to protect the polarizer. Transparent protective plate should have sufficient strength in order to resist external force.
- (4) You should adopt radiation structure to satisfy the temperature specification.
- (5) Acetic acid type and chlorine type materials for the cover case are not desirable because the former generates corrosive gas of attacking the polarizer at high temperature and the latter causes circuit break by electro-chemical reaction.
- (6) Do not touch, push or rub the exposed polarizers with glass, tweezers or anything harder than HB pencil lead. And please do not rub with dust clothes with chemical treatment.
Do not touch the surface of polarizer for bare hand or greasy cloth.(Some cosmetics are detrimental to the polarizer.)
- (7) When the surface becomes dusty, please wipe gently with absorbent cotton or other soft materials like chamois soaks with petroleum benzene. Normal-hexane is recommended for cleaning the adhesives used to attach front / rear polarizers. Do not use acetone, toluene and alcohol because they cause chemical damage to the polarizer.
- (8) Wipe off saliva or water drops as soon as possible. Their long time contact with polarizer causes deformations and color fading.
- (9) Do not open the case because inside circuits do not have sufficient strength.

9-2. OPERATING PRECAUTIONS

- (1) The spike noise causes the mis-operation of circuits. It should be lower than following voltage :
 $V = \pm 200\text{mV}$ (Over and under shoot voltage)
- (2) Response time depends on the temperature.(In lower temperature, it becomes longer.)
- (3) Brightness depends on the temperature. (In lower temperature, it becomes lower.)
And in lower temperature, response time(required time that brightness is stable after turned on) becomes longer.
- (4) Be careful for condensation at sudden temperature change. Condensation makes damage to polarizer or electrical contacted parts. And after fading condensation, smear or spot will occur.
- (5) When fixed patterns are displayed for a long time, remnant image is likely to occur.
- (6) Module has high frequency circuits. Sufficient suppression to the electromagnetic interference shall be done by system manufacturers. Grounding and shielding methods may be important to minimized the interference.



Product Specification

9-3. ELECTROSTATIC DISCHARGE CONTROL

Since a module is composed of electronic circuits, it is not strong to electrostatic discharge. Make certain that treatment persons are connected to ground through wrist band etc. And don't touch interface pin directly.

9-4. PRECAUTIONS FOR STRONG LIGHT EXPOSURE

Strong light exposure causes degradation of polarizer and color filter.

9-5. STORAGE

When storing modules as spares for a long time, the following precautions are necessary.

- (1) Store them in a dark place. Do not expose the module to sunlight or fluorescent light. Keep the temperature between 5°C and 35°C at normal humidity.
- (2) The polarizer surface should not come in contact with any other object.
It is recommended that they be stored in the container in which they were shipped.

9-6. HANDLING PRECAUTIONS FOR PROTECTION FILM

- (1) When the protection film is peeled off, static electricity is generated between the film and polarizer. This should be peeled off slowly and carefully by people who are electrically grounded and with well ion-blown equipment or in such a condition, etc.
- (2) The protection film is attached to the polarizer with a small amount of glue. If some stress is applied to rub the protection film against the polarizer during the time you peel off the film, the glue is apt to remain on the polarizer.
Please carefully peel off the protection film without rubbing it against the polarizer.
- (3) When the module with protection film attached is stored for a long time, sometimes there remains a very small amount of glue still on the polarizer after the protection film is peeled off.
- (4) You can remove the glue easily. When the glue remains on the polarizer surface or its vestige is recognized, please wipe them off with absorbent cotton waste or other soft material like chamois soaked with normal-hexane.