

LQ065T5AR01

Color TFT LCD Module

(Model Number: LQ065T5AR01)

Specifications

Spec No.: LCY-01096B

Dated: May 31, 2002

PREPARED BY: DATE	SHARP MOBILE LIQUID CRYSTAL DISPLAY GROUP SHARP CORPORATION SPECIFICATION	SPEC No. LCY-01096B
		FILE No.
APPROVED BY: DATE		ISSUE: Jan. 24. 2002
		PAGE : 29 pages
		APPLICABLE GROUP LIQUID CRYSTAL DISPLAY GROUP

DEVICE SPECIFICATION FOR

TFT - LCD module

MODEL No. LQ065T5AR01

CUSTOMER'S APPROVAL

DATE _____

BY _____

PRESENTED

BY _____

S.YASUDA
Department General manager
Engineering department II
Mobile LCD design center
MOBILE LIQUID CRYSTAL DISPLAY GROUP
SHARP CORPORATION

NOTICE

This publication is the proprietary of SHARP and is copyrighted, with all rights reserved. Under the copyright laws, no part of this publication may be reproduced or transmitted in any form or by any means, electronic or mechanical for any purpose, in whole or in part, without the express written permission of SHARP. Express written permission is also required before any use of this publication may be made by a third party.

The application circuit examples in this publication are provided to explain the representative applications of SHARP's devices and are not intended to guarantee any circuit design or permit any industrial property right or other rights to be executed. SHARP takes no responsibility for any problems related to any industrial property right or a third party resulting from the use of SHARP's devices, except for those resulting directly from device manufacturing processes.

In the absence of confirmation by device specification sheets, SHARP takes no responsibility for any defects that occur in equipment using any of SHARP's devices, shown in catalogs, data books, etc. Contact SHARP in order to obtain the latest device specification sheets before using any SHARP's device.

SHARP reserves the right to make changes in the specifications, characteristics, data, materials, structures and other contents described herein at any time without notice in order to improve design or reliability. Contact SHARP in order to obtain the latest specification sheets before using any SHARP's device. Manufacturing locations are also subject to change without notice.

Observe the following points when using any device in this publication. SHARP takes no responsibility for damage caused by improper use of the devices.

The devices in this publication are designed for use in general electronic equipment designs, such as:

- Car Navigation system
- Automotive auxiliary information display
- Automotive audio visual equipment

The appropriate design measures should be taken to ensure reliability and safety when SHARP's devices are used for equipment such as:

- Transportation control and safety equipment (i.e., aircraft, trains, automobiles, etc.)
- Traffic signals
- Gas leakage sensor breakers
- Alarm equipment
- Various safety devices etc.

SHARP's devices shall not be used for equipment that requires extremely high level of reliability, such as:

- Military and space applications
- Nuclear power control equipment
- Medical equipment for life support

Contact a SHARP representative, in advance, when intending to use SHARP's devices for any "specific" applications other than those recommended by SHARP.

Contact and consult with a SHARP representative if there are any questions about the contents of this publication.

C O N T E N T S

	Page
(1) Introduction	3
(2) Features	3
(3) Construction and Outline	3
(4) Module geometry	3
(5) Input/Output symbol and description	4
(6) Absolute maximum ratings	8
(7) Electrical characteristics	9
(8) Optical characteristics	12
(9) Mechanical characteristics	13
(10) Display quality	15
(11) Mechanical Noise	15
(12) Handling instruction	15
(13) Shipping requirements	16
(14) Reliability test conditions	17
(15) Others	17
Attached Figures	
Fig 1. Outline dimension of TFT-LCD module	19
Fig 2. Circuit block diagram of TFT-LCD module	20
Fig 3. Recommended circuit to be refered	21
Fig 4. Input/Output signal waveforms	22
Fig 5. Optical characteristics	26
Fig 6. Clock and Video signal timing (Reference)	27
Fig 7. Construction of TFT-LCD module	28
Fig 8. Packing form	29

(1) Introduction

The SHARP color TFT-LCD module is an active matrix LCD (Liquid Crystal Display) produced by making the most of Sharp’s expertise in liquid-crystal and semiconductor technologies. The active device is amorphous silicon TFT (Thin Film Transistor). The module has a 16:9 aspect ratio and accepts full color video signal conforming to the NTSC and PAL systems.

An outline of the module is shown in Table 1.

(2) Features

- 16:9 aspect ratio suitable for the wide-screen systems.
- a variety of display modes can be selected without any loss of wide-screen characteristics
- The 6.5 screen produces a high resolution image that is composed of 93,600 pixel elements in a stripe arrangement.
- Wide viewing angle technology is adopted.
(The direction which has earlier inversion of gray scale image : 6 o'clock direction.)
- External clock synchronization allows an extremely clear image to be displayed.
- TFT-active matrix-LCD drive system with high contrast
- Dual mode type [NTSC (M) and PAL(B · G) standards]
- MBK-PAL which enables the 234-scanning lines panel to display a picture with virtually 274-scanning lines.
- Reduced reflection as a result of low reflectance black matrix and an antiglare (AG) and anti-reflection (AR) polarizer being adopted.
- A thin, lightweight and compact
①Effective area/Outline area= 82% ②Thickness= 16.0 mm③Mass= 240g(max)
- Through the use of TN-normally white mode, an image with highly natural color reproduction is realized.
- It is possible to reverse the display direction (right/left and up/down).
- Semi Self-heating Backlight that is excellent of brightness rising characteristics at low temperature in consideration of automotive application

(3) Construction and Outline

Outline dimension of TFT-LCD module : Fig. 1

The module consists of the TFT-LCD panel, driver ICs, control PWB mounted with electronic circuits, semi self-heating backlight, frame, inverter, DC/DC for single supply voltage, front and rear shielding cases.:Fig.7

(4)Module geometry(Mechanical specifications)

Table 1

Parameter	Specifications	Units	Remarks
Display format	93,600	pixels	
	1200(W)×234(H)	dots	
Active area	143.4 (W) ×79.326 (H)	mm	
Screen size (Diagonal)	16.5 [6.5"]	cm	
Dot pitch	0.1195 (W) ×0.339 (H)	mm	
Pixel configuration	R,G,B Stripe configuration		
Outline dimension	155(W)×89.2(H)×16.0(D)	mm	【Note4-1】
Mass	240	g	Max

【Note4-1】 This measurement is typical,and see Fig .1 for the details.

(5)Input/Output terminal and their descriptions
5-1)TFT-LCD panel driving section

Table 2

(Hi and Lo means digital input voltage)

Pin No.	Symbol	i/o	Description	Remarks
1	TEST	i		
2	CLKC	i	Selection for input/output direction of HSY,VSY, CLK+,CLK-	【Note5-1】
3	HSY	i / o	Input/Output horizontal sync. signal (low active)	【Note5-2】
4	VSY	i / o	Input/Output vertical sync. signal (low active)	【Note5-3】
5	PWMS	o	Timing signal for PWM dimming of backlight	【Note5-4】
6	NTP	i	Selection for NTSC or PAL	【Note5-5】
7	HRV	i	Selection for horizontal scanning direction	【Note5-6】
8	VRV	i	Selection for vertical scanning direction	【Note5-7】
9	MODS	i	Selection for display mode	【Note5-8】
10	MODW	i	Selection for display mode	【Note5-8】
11	MODN	i	Selection for display mode	【Note5-8】
12	VIN	i	Positive power supply voltage	
13	VBS	i	Composite sync.signal (low active)	【Note5-9】
14	BRT	i	Brightness adjusting terminal	【Note5-10】
15	VR1	i	Color video signal (Red) 1	Positive (On when VSW=Hi.)
16	VG1	i	Color video signal (Green) 1	Ditto
17	VB1	i	Color video signal (Blue) 1	Ditto
18	GND1	i	Ground	
19	VR2	i	Color video signal (Red) 2	Positive (On when VSW=Lo.)
20	VG2	i	Color video signal (Green) 2	Ditto
21	VB2	i	Color video signal (Blue) 2	Ditto
22	GND1	i	Ground	
23	CLK-	i	Clock signal (LVDS-)	【Note5-11】
24	CLK+	i	Clock signal (LVDS+)	【Note5-11】
25	VSW	i	Selection signal of two sets of video signals	【Note5-12】
26	PWMI	i	Input signal for backlight dimming	【Note5-13】
27	VBL	i	Power supply for BackLight	
28	VBL	i	Power supply for BackLight	
29	GND2	i	Ground for BackLight	
30	GND2	i	Ground for BackLight	

【Note5-1】 CLKC = "Hi": HSY and VSY terminals are the output mode.

CLKC = "Lo": CLK+,CLK-, HSY and VSY terminals are the input mode.

【Note5-2】 If CLKC="Hi", this terminal outputs horizontal sync. signal in phase with VBS.

If CLKC="Lo", this terminal will be external horizontal sync. input terminal.

【Note5-3】 If CLKC="Hi", this terminal outputs vertical sync. signal in phase with VBS.

If CLKC="Lo", this terminal will be external vertical sync. input terminal.

【Note5-4】 PWM signal is used for the PWM dimming frequency and it is possible to control the PWM signal dimming by combining both HSY and PWM signal. But, please use this PWM signal just in case of inputting standard NTSC or PAL signal.

【Note5-5】 NTP = "Hi": NTSC system

NTP = "Lo": PAL system

【Note5-6】 HRV = "Hi": Normal video

HRV = "Lo": Reversed video on horizontal direction

【Note5-7】 VRV = "Hi": Normal video

VRV = "Lo": Reversed video on vertical direction

【Note5-8】 Display mode settings are shown in Table 3.

【Note5-9】 The sync. Signal which will be input, is negative polarity, and is applicable to standard composite sync. signal, negative one, in the same pulse level.

- 【Note5-10】** Brightness is adjusted by the DC voltage supplied to this pin.
They are adjusted to the optimum value on shipping, but, they can be re-adjusted by external circuit.
- 【Note5-11】** When CLKC="Lo", this terminal will be external clock input terminal.
This signal should correspond to sampling timing of the horizontal direction image.
NTP, MODS, MODW, and MODN should be "Hi" when CLKC="Lo".
- 【Note5-12】** When VSW="Hi", CH1 (VR1, VG1, VB1) is selected.
When VSW="Low", CH2 (VR2, VG2, VB2) is selected.
- 【Note5-13】** The signal of PWMI is used for control of ON/OFF switch of backlight.
When PWMI="Hi", the backlight is lighted. When PWMI="Low", the backlight puts the light out.
And, PWMS signal is used for the PWMI dimming frequency and it is easy to get PWM signal dimming by combining both HSY and PWMS signal. But please use this PWMS signal just in case of inputting standard NTSC or PAL signal.

Table 3 Display Method and Characteristics

MODS	MODW	MODN	Display mode	Characteristics	Source	example
H	H	H	Full mode	The picture is displayed with uniform enlargement in the horizontal direction, and the horizontal retrace line of the input signal cannot be seen. If the video sampling frequency of the image is fixed and a 4:3 video signal is displayed, the picture will be prominently oblong.	4:3 signal, Navigation signal	Fig.3)-1
H	H	L	Wide 1 mode	A 4:3 video signal is displayed with less feeling of incongruity than that in the full screen mode. Since the video horizontal sampling frequency is modulated in the horizontal direction, the degree of perfect roundness in the center of the screen is improved over that of the full screen mode.	4:3 signal	Fig.3)-2
H	L	H	Normal mode	When displaying a 4:3 video signal, the displayed image is slightly less than perfectly round and the horizontal retrace line period is displayed at the two edges of the screen. With respect to the video horizontal sampling frequency, the center portion of the screen is slightly lower and the two edges become slightly higher.	4:3 signal	Fig.3)-3
H	L	L	Cinema mode	A letter-box type image (16:9 signal) is displayed over the central width of the screen. In the horizontal direction, full screen display is utilized. Due to the display being extended in the vertical direction, a slightly less than perfectly round image is displayed.	letter box type wide signal(16:9signal)	Fig.3)-4
L	H	H	Wide 2 mode	In the horizontal direction, the Wide 1 display mode is employed. Due to the display being extended in the vertical direction, the portion of the picture in the center of the screen is slightly less than perfectly round. Also due to extending in the vertical direction, the upper and lower portions of the image are not displayed.	4:3 signal	Fig.3)-5
L	H	L	test	This mode is unusable as it is the test mode.	—	—
L	L	H	test	This mode is unusable as it is the test mode.	—	—
L	L	L	test	This mode is unusable as it is the test mode.	—	—

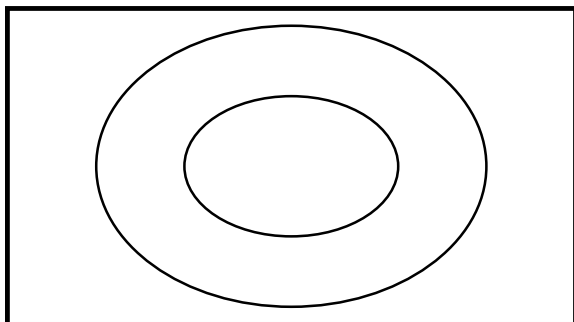


Fig.3)-1 Full mode

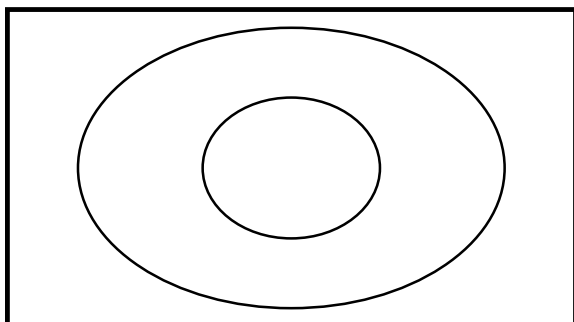


Fig.3)-2 Wide 1 mode

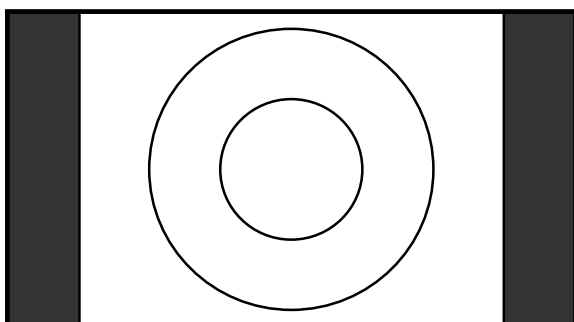


Fig.3)-3 Normal mode

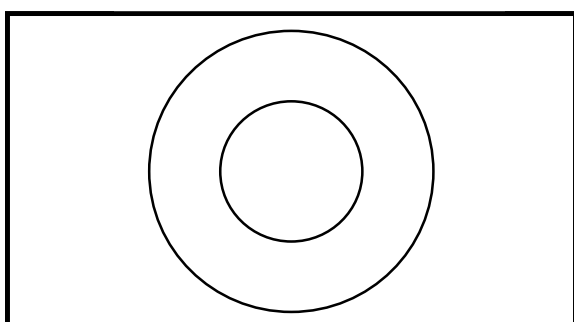


Fig.3)-4 Cinema mode

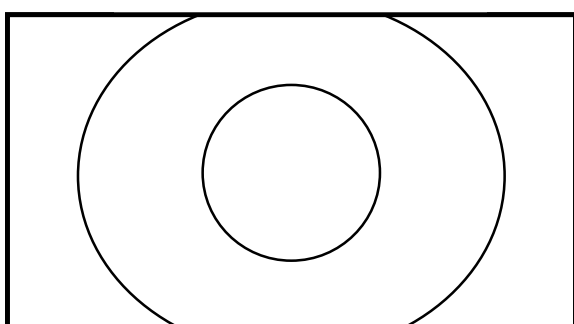


Fig.3)-5 Wide 2 mode

5-2)Functions, Modes and Terminals (Table 4)

Mode terminals					Sync,signal I/O terminals				
CLKC	NTP	MODS	MODW	MODN	HSY	VS Y	CLK-, CLK+	VBS	Remarks
H	H or L	L L L	H L L	L H L	H sync. output	V sync. output	-	Composite sync. input	test mode
H	H or L	H	L	H	H sync. output	V sync. output	-	Composite sync. input	NTSC or PAL mode (Normal mode)
H	H or L	other H or L settings			H sync. output	V sync. output	-	Composite sync. input	NTSC or PAL mode (Full,Wide,Cinema)
L	H	H	H	H	H sync. input	V sync. input	Pixel clock input	input Hi or Lo fixed value	External clock synchronous mode

(6) Absolute maximum ratings

Table 5

GND=0V、T_a=-30~+85°C

Parameter	Symbol	MIN	MAX	Unit	Note
Positive power supply voltage	VIN	-0.3	9.0	V	
Positive power supply voltage	VB L	-0.3	9.0	V	
Analog Input signals	V I A	-	2.0	Vp-p	[terminal 6-1]
Digital Input signals	V I D	-0.3	5.3	V	[terminal 6-2]
Digital Output signals	V O D	-0.3	5.3	V	[terminal 6-3]
LVDS Input signals	LIS	-0.3	5.3	V	[terminal 6-4]
Brightness adjusting voltage	VBRT	0	5.0	V	
Storage temperature	T stg	-40	85	°C	【Note 6-1,2】
Operating temperature (panel surface)	T opr1	-30	85	°C	【Note 6-2,3,4】
Operating temperature (Ambient temperature)	T opr2	-30	65	°C	【Note 6-4,5】

[terminal 6-1] VBS, VR1, VG1, VB1, VR2, VG2, VB2 terminals (Video signal)

[terminal 6-2] HSY, NTP, VS Y, HRV, VRV, CLKC, VMSW, MODS, CLK, MODW, MODN, terminals

[terminal 6-3] HSY, VS Y, PWMS terminals

[terminal 6-4] CLK-,CLK+ terminals

【Note 6-1】 This rating is applied to all parts of the module and should not be exceeded.

【Note 6-2】 Maximum wet-bulb temperature is less than 58°C. Condensation of dew must be avoided as electrical current leaks will occur, causing a degradation of performance specifications.

【Note 6-3】 Please measure in the effective display area only.

【Note 6-4】 The operating temperature only guarantees operation of the circuit. For contrast, speed response, and other factors related to display quality, determine operating temperature using the formula T_a=+25°C

【Note 6-5】 Ambient temperature when the backlight is lit (reference value).

(7) Electrical characteristics
 7-1) Recommended operating conditions
 A) TFT-LCD panel driving section

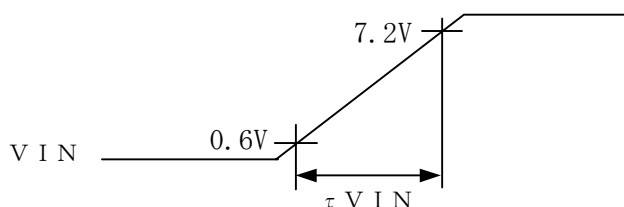
Table 6

GND = 0 V, T_{opr1} = -30~85°C

Parameter		Symbol	MIN	TYP	MAX	Unit	Remarks	
Power supply voltage		V _{BL}	+7.2	+8.0	+8.5	V		
Power supply voltage		V _{IN}	+7.2	+8.0	+8.8	V		
Power supply voltage rising time		τ _{VIN}			60	ms	【Note 7-1】	
Analog Input voltage	Amplitude	V _{BS}	0.7	1.0	2.0	V _{p-p}		
		V _I	-	0.7	-	V _{p-p}	【Note 7-2】	
	DC component	V _{IDC}	-1.0	0	+1.0	V	【Note 7-3】	
Digital Input voltage	H _i	V _{IH}	+3.5	-	+5.0	V	【Note 7-4】	
	L _o	V _{IL}	0	-	+0.5	V		
	Histeresis	V _H	+0.2	-	-	V		
Digital output voltage	H _i	V _{OH}	+4.0	-	+5.0	V	【Note 7-5】	
	L _o	V _{OL}	0	-	+1.0	V		
LVDS Input signal	Differential Input High Threshold	V _{TH}			+100	mV	CLKC="Lo" 【Note 7-6】	
	Differential Input Low Threshold	V _{Tl}	-100			mV		
	frequency	f _{CLI}	7.2	8.0	8.8	MHz		
Input horizontal sync. signal	frequency	NTSC	f _{H(N)}	15.13	15.73	16.33	kHz	CLKC="Hi" 【Note 7-7】
		PAL	f _{H(P)}	15.03	15.63	16.23		
	pulse width	NTSC	τ _{HI(N)}	4.2	4.7	5.2	μs	
		PAL	τ _{HI(P)}	4.2	4.7	5.2		
	rising time	τ _{rHI1}	-	-	0.5	μs		
falling time	τ _{fHI1}	-	-	0.5	μs			
Input vertical sync. signal	frequency	NTSC	f _{V(N)}	f _H /284	f _H /262.5	f _H /258	Hz	CLKC="Hi" 【Note 7-8】
		PAL	f _{V(P)}	f _H /344	f _H /312.5	f _H /304		
	pulse width	NTSC	τ _{VI(N)}	-	3H	-	μs	
		PAL	τ _{VI(P)}	-	2.5H	-		
	rising time	τ _{rVI}	-	-	0.5	μs	CLKC="Hi" or "Lo"	
falling time	τ _{fVI}	-	-	0.5	μs			
Input horizontal sync. signal	frequency	f _{HI}	f _{CLI} /550	f _{CLI} /508	f _{CLI} /490	kHz	CLKC="Lo" 【Note 7-9】	
	pulse width	τ _{HI}	1	5	9	μs		
	rising time	τ _{rHI2}	-	-	0.05	μs		
	falling time	τ _{fHI2}	-	-	0.05	μs		
Input vertical sync. signal	frequency	f _{VI}	50	f _{HI} /262	f _{HI} /258	Hz	CLKC="Lo" 【Note 7-10】	
	pulse width	τ _{VI}	1H	3H	5H	μs		
Data setup time	t _{SU1}	24	-	-	ns	CLKC="Lo"		
Data hold time	t _{HO1}	44	-	-	ns	【Note 7-6,9,11】		
Data setup time	t _{SU2}	1.0	-	-	μs	CLKC="Lo"		
Data hold time	t _{HO2}	1.0	-	-	μs	【Note 7-6,10,12】		

Caution: Signals must input after power has been turned on.

【Note 7-1】



- 【Note 7-2】 VR 1, VG 1, VB 1, VR 2, VG 2, VB 2 terminals (Video signal)
- 【Note 7-3】 VBS, VR 1, VG 1, VB 1, VR 2, VG 2, VB 2 terminals
- 【Note 7-4】 HSY, NTP, VSY, HRV, VRV, CLKC, VSW, MODS, MODW, MODN, PWMI terminals
- 【Note 7-5】 HSY, VSY, PWMS terminals
- 【Note 7-6】 CLK-,CLK+ (DS90C402 : LVDS Receiver made by National Semiconductor)
(Adaptation LVDS Transmitter : DS90C401)
- 【Note 7-7】 VBS(horizontal sync. component) terminal
- 【Note 7-8】 VBS(vertical sync. component) terminal
- 【Note 7-9】 HSY terminal
- 【Note 7-10】 VSY terminal
- 【Note 7-11】 During the clock input mode, CLK-,CLK+ and the HSY input signal are out of phase. In this mode, the HSY input signal is effected by the rise time of the CLK+ input signal.
- 【Note 7-12】 During the clock input mode, HSY and the VSY input signal are out of phase. In this mode, the VSY input signal is effected by the rise time of the HSY input signal.

7-2)Power consumption

Table 7

T a = -30~+85°C

Parameter	Symbol	Conditions	MIN	TYP	MAX	Unit	Remarks
Positive supply current	IIN	VIN=8.0V	-	160	210	mA	
Positive supply current	IBL	VBL=8.0V	-	750	950	mA	
Total			-	7.28	9.20	W	

7-3)Input/Output signal timing chart

Table 8

VIN=+8.0,GND=0V CLKC=Hi
 NTSC:fH=15.73kHz,fv=60Hz, τ HI=4.7 μ s
 PAL:fH=15.63kHz,fV=50Hz, τ HI=4.7 μ s

Parameter		Symbol	MIN	TYP	MAX	Unit	Remarks
Horizontal sync. Output	frequency	fHO	-	fH	-	kHz	
	pulse width	τ HO	2.0	4.6	8.0	μ s	【Note 7-13】
	rising time	τ rHO	-	-	0.5	μ s	CL=10pF
	falling time	τ fHO	-	-	0.5	μ s	CL=10pF
Horizontal sync. phase difference	HSY falling time	τ pd1	0.5	1.6	3.0	μ s	【Note 7-14】
	HSY rising time	τ pd2		1.6	3.4	μ s	
Vertical sync. Output	frequency	fVO	-	Fv	-	Hz	
	pulse width	τ VO	-	4H	-	μ s	1H=1/fH
	sync. output difference	τ VHO	-	11	29	μ s	
	rising time	τ rVO	-	-	2.0	μ s	CL=10pF
	falling time	τ fVO	-	-	2.0	μ s	CL=10pF
Vertical sync. Phase Difference	odd field	τ DV1	-	1H	-	μ s	
	even field	τ DV2	-	0.5H	-		
Clock and Video signal timing 【Reference value】		td	40	65	90	ns	【Note7-15】

- 【Note7-13】 This is changed by the value of τ pd1
- 【Note7-14】 Center position : τ pd1= 1.6±0.4 μ s (NTSC mode)
- 【Note7-15】 Clock and Video signal timing : Fig.6

7-4) Display time range

(1) NTSC(M) mode (NTP='Hi',CLKC='Hi')

- (a1) Horizontal Direction (full,wide1,2,cinema)
13.1 ~ 63.2 μ s from the falling edge of HSY.
- (a2) Horizontal Direction (normal)
8.0 ~ 68.3 μ s from the falling edge of HSY
- (b1) Vertical Direction (full,wide1,normal)
20 ~ 253 H from the falling edge of VSY
- (b2) Vertical Direction (Cinema)
49 ~ 224 H from the falling edge of VSY
- (b3) Vertical Direction (Wide2)
42 ~ 228 H from the falling edge of VSY

(2) PAL(B·G) mode (NTP='Lo',CLKC='Hi')

- (a1) Horizontal Direction (full,wide1,2,cinema)
13.3 ~ 63.2 μ s from the falling edge of HSY
- (a2) Horizontal Direction (normal)
8.1 ~ 68.4 μ s from the falling edge of HSY. (Normal)
- (b1) Vertical Direction (full,wide1,normal)
26 ~ 298 H from the falling edge of VSY
However, the video signals of (14n+12)H,(14n+20)H/Even field.
(14n+17)H,(14n+23)H/Odd field (n=1,2···, 20)
are not displayed on the module.
- (b2) Vertical Direction (cinema)
49 ~ 282 H from the falling edge of VSY
- (b3) Vertical Direction (wide2)
35 ~ 291 H from the falling edge of VSY
However, the video signals of (22n+14)H,(22n+21)H/Even field.
(22n+25)H,(22n+32)H/Odd field (n=1,2···, 12)
are not displayed on the module.

(3) External clock mode (NTP='Hi',CLKC='Lo')

Displaying the following range within video signals.

- (a) Horizontal Direction : 86 ~ 485 clk from the falling edge of HSY.
(clk means input external clock.)
- (b) Vertical Direction : 20 ~ 253H from the falling edge of VSY.

7-5) Backlight driving section

Usable area for Backlight lighting

PWM Dimming Duty=100%~5%

(Please use this PWMS signal just in case of inputting standard NTSC or PAL signal)

DC/AC inverter driving frequency = 65kHz (reference value)

(8)Optical characteristics

Table 9

VIN=+8.0V, VBL=+8.0V Ta=25°C

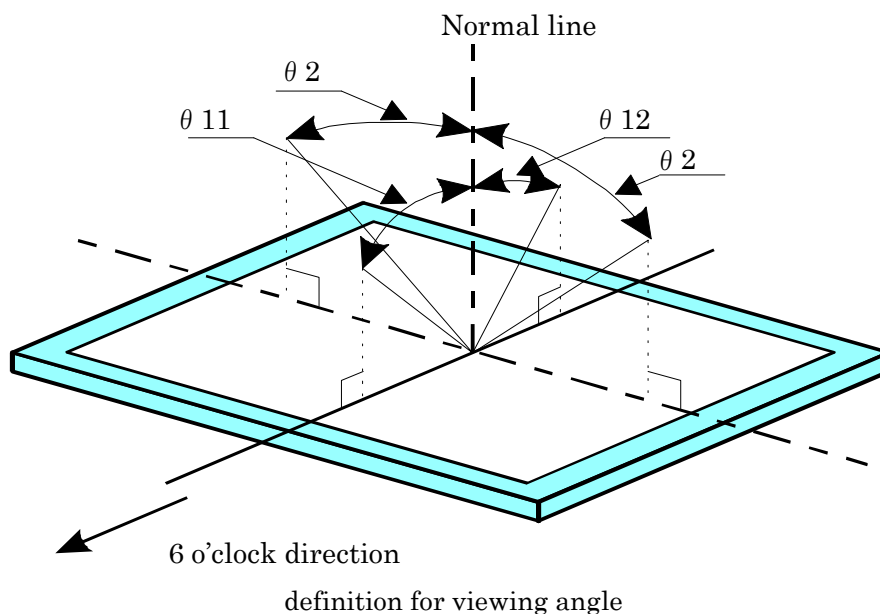
Parameter	Symbol	Condition	Min	Typ	Max	Unit	Remarks	
Viewing angle range	$\Delta \theta 11$	$CR \geq 5$	60	65	-	° (degree)	【Note8-1,2,3】	
	$\Delta \theta 12$		35	40	-	° (degree)		
	$\Delta \theta 2$		60	65	-	° (degree)		
Contrast ratio	CRmax	Optimal viewing angle	60	-	-		【Note8-1,3】	
Response time	Rise	$\theta = 0^\circ$	-	30	60	ms	【Note8-1,4】	
	Fall		-	50	100	ms		
Luminance	Y	$\theta = 0^\circ$	315	420	-	cd/m ²	【Note8-1,5】	
White chromaticity	x	$\theta = 0^\circ$	0.263	0.313	0.363		【Note8-1,5】	
	y		0.279	0.329	0.379			
Lamp life time	+25°C	-	Continuation	10,000	-	-	hour	【Note8-1,6】
	-30°C	-	Intermission	2,000	-	-	time	【Note8-1,7】

Applied voltage condition for the measurement :

- i) Bright adjustment voltage (BRT) to be opened
- ii) Video signal of standard black level and 100% white level

【Note 8-1】 Measuring method : Fig.5

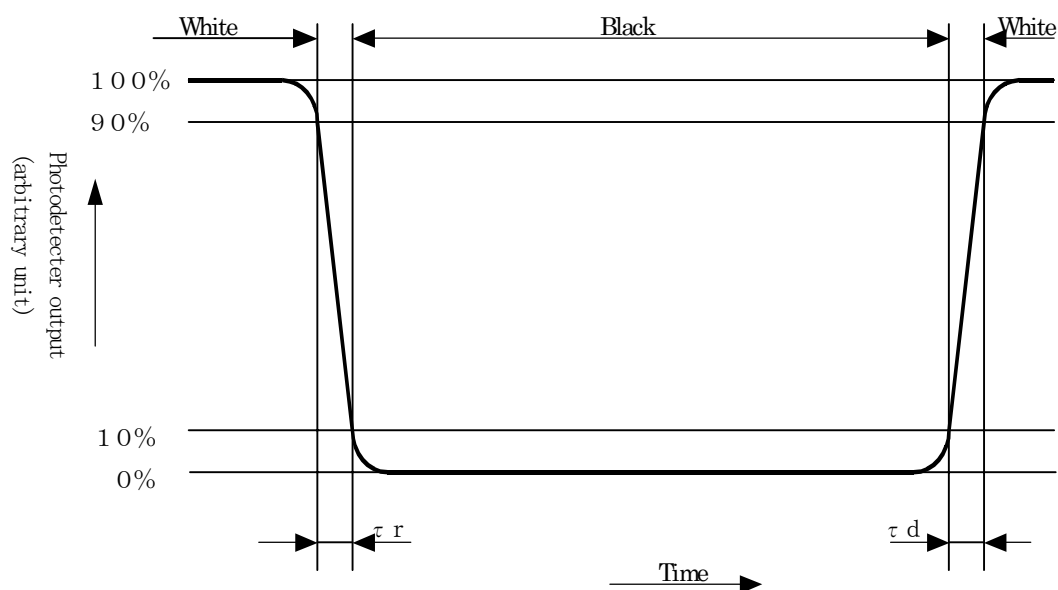
【Note 8-2】 Viewing angle range is defined as follows.



【Note 8-3】 Contrast ratio is defined as follows:

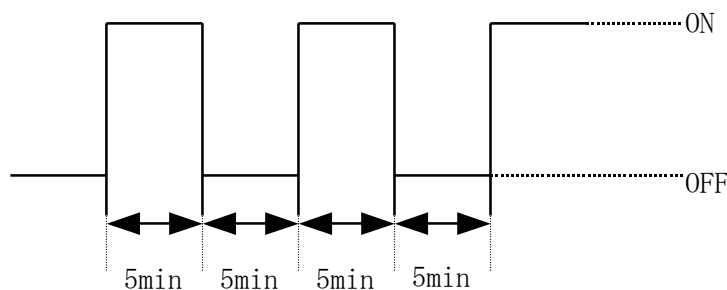
$$\text{Contrast ratio} = \frac{\text{Photodetector output with LCD being "white"}}{\text{Photodetechor output with LCD being "black"}}$$

【Note 8-4】 Response time is obtained by measuring the transition time of photodetector output, when input signals are applied so as to make the area "black" to and from "white".



- 【Note 8-5】 Measured on the center area of the panel at a viewing cone 1° by TOPCON luminance meter BM-7.(After 30 minutes operation)
- 【Note 8-6】 Lamp life time is defined as the time when brightness not to become under 50% of the original value in the continuous operation under the condition of PWM dimming duty 100%~5% ($T_a=25^\circ\text{C}$).
- 【Note 8-7】 The intermittent cycles is defined as a time when brightness not to become under 50% of the original value under the condition of following cycle.

Ambient temperature:-30°C



(9)Mechanical characteristics

9-1) External appearance

Extreme defects should not exist. (See Fig. 1)

9-2) Panel toughness

The panel shall not be broken,when 19N is pressed on the center of the panel by a smooth sphere having 15 mm diameter.

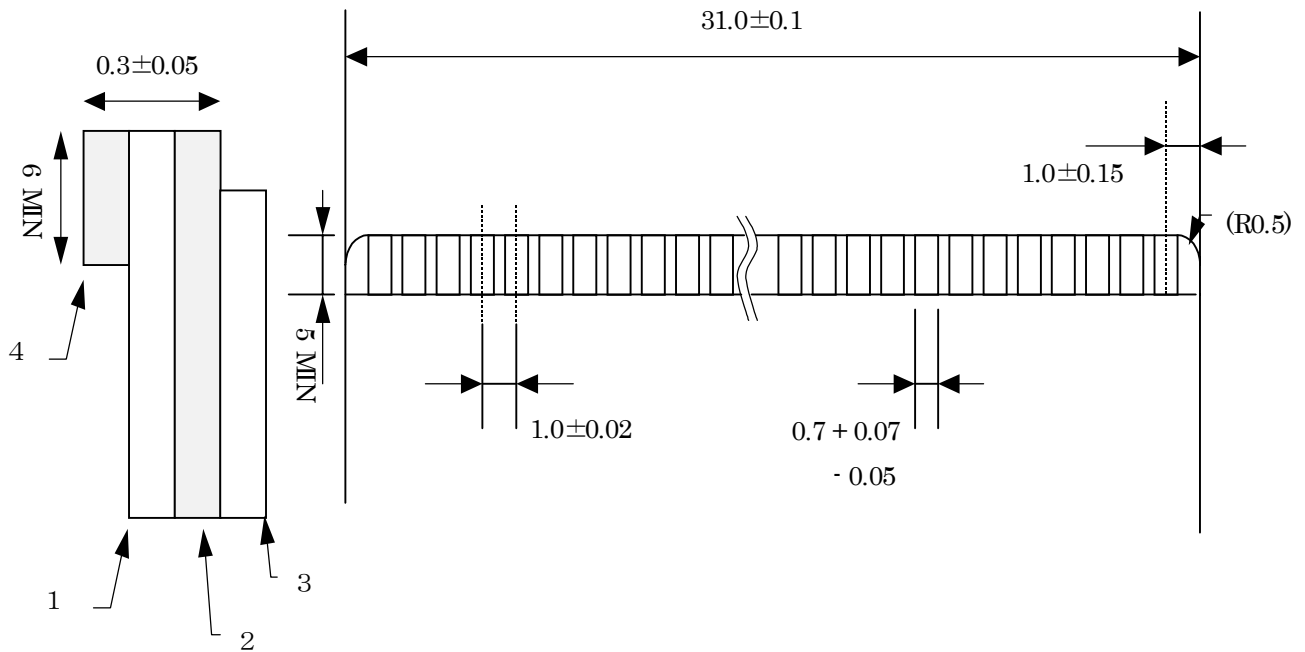
Caution: In spite of very soft toughness, if, in the long-term, add pressure on the active area, it is possible to occur the functional damage.

9-3) Input/output connector performance

A) Input/output connectors for the operation of LCD module

(30 pin 【KYOCERA ELCO CORPORATION】 :6200307032800)

- 1) Applicable FPC : Refer the below figure
- 2) Terminal holding force : More than 0.9N/pin.
(Each terminal is pulled out at a rate of 25 ± 3 mm/min.)
- 3) Insertion/pulling : contact resistance is not twice larger than the durability initial value after applicable FPC is inserted and pulled out 20 times



No.	Name	Materials
1	Base material	Polyimide or equivalent material(25 μ m thick)
2	Copper foil	Copper foil(35 μ m thick) Solder plated over 2 μ m
3	Cover lay	Polyimide or equivalent material
4	Reinforcing plate	Polyester polyimide or equivalent material(188 μ m thick)

FPC applied to input/output connector (1.0mm pitch)

(10) Display quality

The display quality of the color TFT-LCD module shall be in compliance with the Incoming Inspection Standard.

(11) Mechanical Noise

No abnormal mechanical noise which can be easily recognized when the module is shaken by hand.

(12) Handling instructions

12-1) Mounting of module

The TFT-LCD module is designed to be mounted on equipment using the mounting tabs in the four corners of the module at the rear side.

On mounting the module, as the M2.6 tapping screw fastening torque is 0.3 through 0.5N·m is recommended, be sure to fix the module on the same plane, taking care not to wrap or twist the module.

Don't reach the pressure of touch-switches of the set side to a module directly, because images may be disturbed.

Please power off the module when you connect the input/output connector.

12-2) Precautions in mounting

Polarizer which is made of soft material and susceptible to flaw must be handled carefully. Protective film (Laminator) is applied on the surface to protect it against scratches and dirt. It is recommended to peel off the laminator immediately before the use, taking care of static electricity.

Precautions in peeling off the laminator

A) Working environment

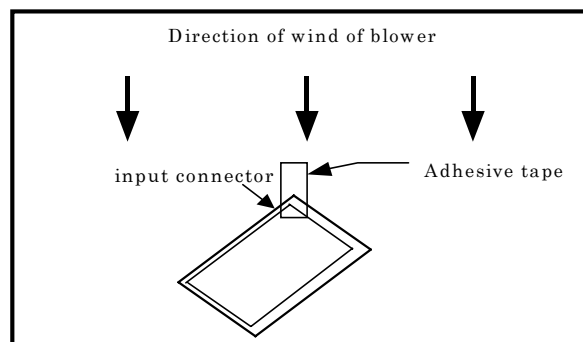
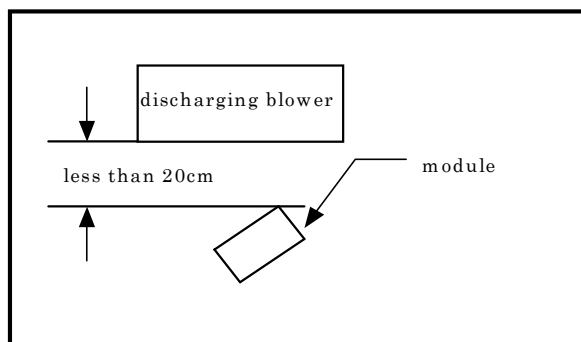
When the laminator is peeled off, static electricity may cause dust to stick to the polarizer surface.

To avoid this, the following working environment is desirable.

- a) Floor : Conductive treatment of 1MΩ or more on the tile. (conductive mat or conductive paint on the tile)
- b) Clean room free from dust and with an adhesive mat on the doorway
- c) Advisable humidity:50%~70% Advisable temperature:15°C~27°C
- d) Workers shall wear conductive shoes, conductive work clothes, conductive gloves and an earth band.

B) Working procedures

- a) Direct the wind of discharging blower somewhat downward to ensure that module is blown sufficiently. Keep the distance between module and discharging blower within 20 cm.
- b) Attach adhesive tape to the laminator part near discharging blower so as to protect polarizer against flaw.
- c) Peel off laminator, pulling adhesive tape slowly to your side.
- d) On peeling off the laminator, pass the module to the next work process to prevent the module to get dust.



e) Method of removing dust from polarizer

- Blow off dust with N2 blower for which static electricity preventive measure has been taken. Ionized air gun (Hugle Electronics Co.) is recommended.
- Since polarizer is vulnerable, wiping should be avoided.

But when the panel has stain or grease, we recommend to use adhesive tape to softly remove them from the panel.

When metal part of the TFT-LCD module (shielding lid and rear case) is soiled, wipe it with soft dry cloth. For stubborn dirt, wipe the part, breathing on it.

Wipe off water drop or finger grease immediately. Long contact with water may cause discoloration or spots.

Since TFT-LCD module uses glass which breaks or cracks easily if dropped or bumped on hard surface, handle with care.

Since CMOS LSI is used in this module, take care of static electricity and earth your body when handling.

12-3) Precautions in adjusting module

Adjusting volumes on the rear face of the module have been set optimally before shipment. Therefore, do not change any adjusted values. If adjusted values are changed, the specifications described here may not be satisfied.

12-4) Caution of product design

The LCD module shall be protected against water salt-water by the waterproof cover.

Please take measures to interferential radiation from module, to do not interfere surrounding appliances.

12-5) Mounting direction

Mounting direction of the TFT-LCD module to the application needs to be carefully fixed by evaluating display performance.

12-6) Others

Do not expose the module to direct sunlight or intensive ultraviolet rays for many hours; liquid crystal is deteriorated by ultraviolet rays.

Store the module at a temperature near the room temperature. At lower than the rated storage temperature, liquid crystal solidifies, causing the panel to be damaged. At higher than the rated storage temperature, liquid crystal turns into isotropic liquid and may not recover.

The voltage of beginning electric discharge may over the normal voltage because of leakage current from approach conductor by to draw lump read lead line around. If LCD panel breaks, there may be a possibility that the liquid crystal escapes from the panel. Since the liquid crystal is injurious, do not put it into the eyes or mouth. When liquid crystal sticks to hands, feet or clothes, wash it out immediately with soap. Observe all other precautionary requirements in handling general electronic components.

(13) Shipping requirements

13-1) Packing form is shown in Fig.8.

13-2) Carton storage condition

① Number of layers of cartons in pile : 10 layers max.

② Environmental condition

• Temperature 0°C to 40°C

• Humidity 60 %PH or less (at 40°C)

No dew condition even at a low temperature and high humidity

• Atmosphere Harmful gases such as acid and alkali which corrode electronic components and wires must not be detected.

• Storage period About 3 months

• Opening of package To prevent TFT-LCD module from being damaged by static electricity, adjust the room humidity to 50%PH or higher and provide an appropriate measure for electrostatic earthing before opening the package.

(14)Reliability test conditions

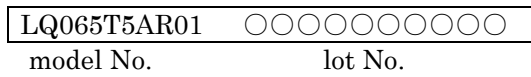
Reliability test conditions for the TFT-LCD module are shown in Table 10.

(15)Others

15-1)Indication of lot number

The lot number is shown on a label. Attached location is shown in Fig.1(Outline Dimensions).

Indicated contents of the label



- | | | | | |
|---------------------|--------------------------------------|--------|----|--|
| Contents of lot No. | the 1 st | figure | ·· | production year (ex.1999 : 9) |
| | the 2 nd | figure | ·· | production month 1,2,3,·····,9,X,Y,Z |
| | the 3 rd ~8 th | figure | ·· | serial No. 00001~ |
| | the 9 th | figure | ·· | revision marks blank or A,B,C ··· |
| | the 10 th | figure | ·· | production factory code blank or A,B,C ··· |

Reliability test conditions for TFT-LCD module

Table 10

Remark)

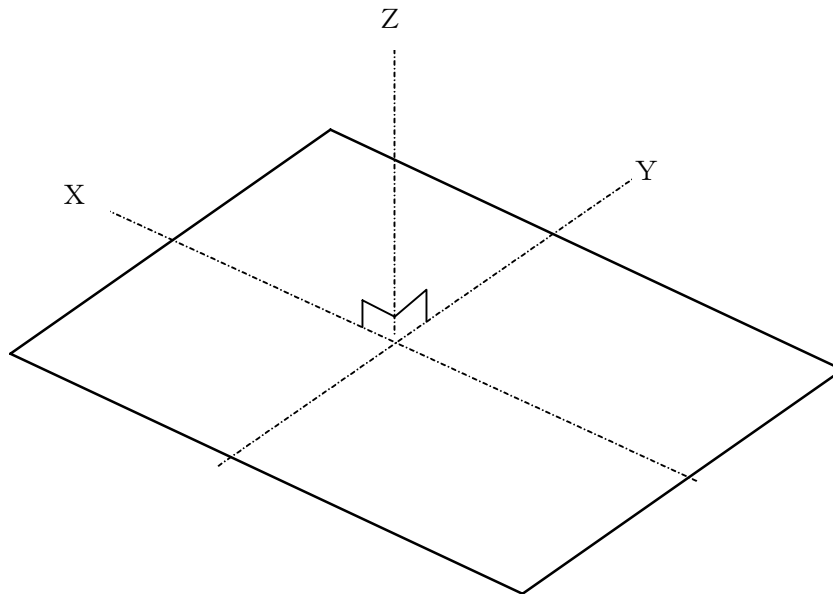
Temperature condition is based on operating temperature conditions on (6)-Table 5

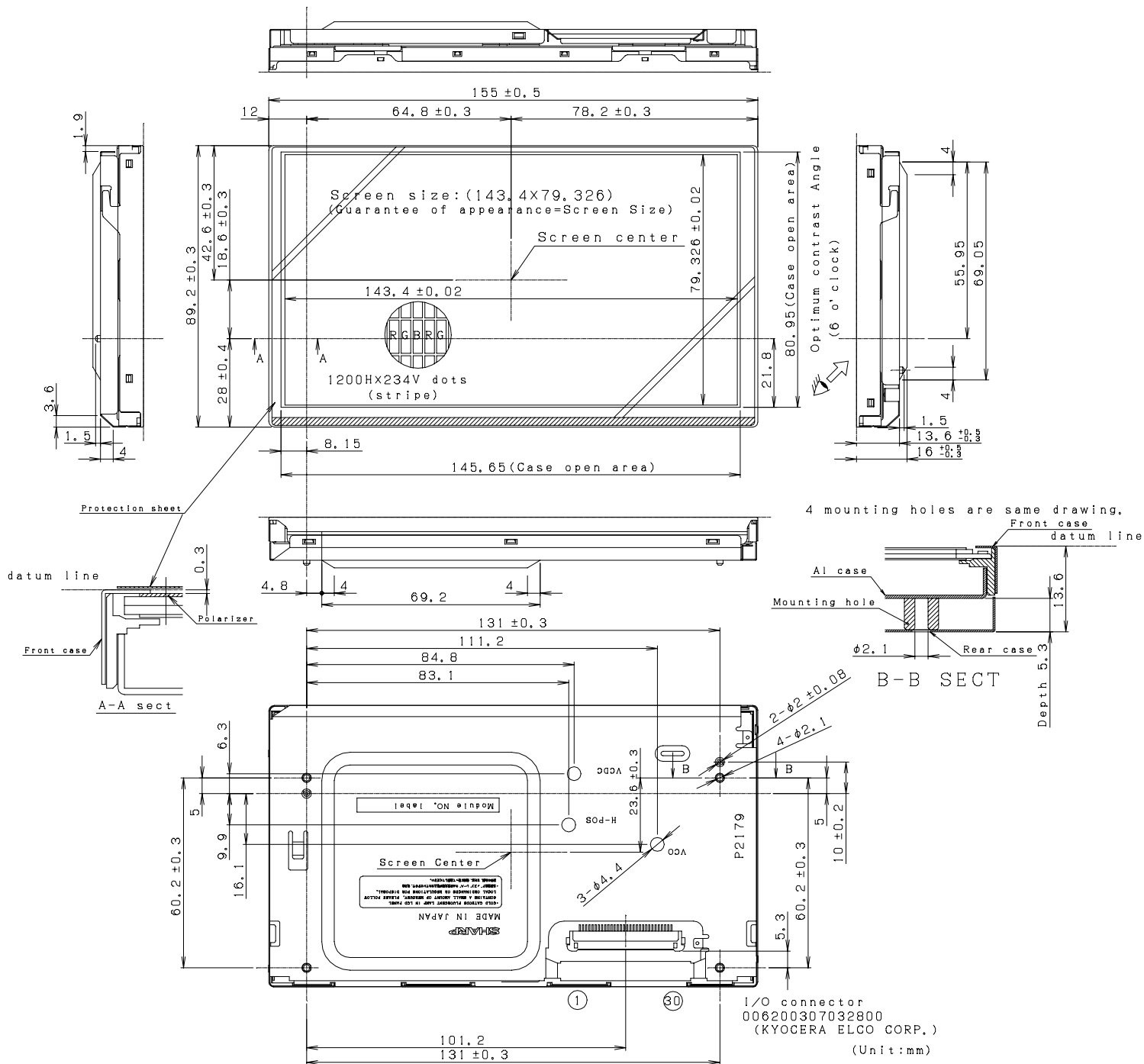
No.	Test items	Test conditions
1	High temperature storage test	Ta=+85°C 240h
2	Low temperature storage test	Ta=-40°C 240h
3	High temperature And high humidity operating test	Ta=+60°C, 90%RH 240h
4	High temperature operating test	Tp=+85°C (Ta=+65°C) 240h
5	Low temperature operating test	Ta=-30°C 240h
6	Electro static discharge test	±200V, 200pF(0Ω) 1 times for each terminals
7	Shock test	980m/s ² ·6ms, ±X, ±Y, ±Z 3times for each direction (JIS C0041,A-7 condition C)
8	Vibration test	Frequency range : 8~33.3Hz Stroke : 1.3mm Sweep : 33.3Hz~400Hz Acceleration : 28.4 m/s ² Cycle : 15 minutes X,Z 2 hours for each directions, 4 hours for Y direction (total 8 hours) 【caution】 (JIS D1601)
9	Heat shock test storage test	Ta=-30~+85°C / 200cycles (0.5h) (0.5h)

【Note】 Ta=Ambient temperature, Tp=Panel temperature

【Check items】 In the standard condition, there shall be no practical problems that may affect the display function.

【Caution】 X,Y,Z directions are shown as follows





- note1) General tolerance is ± 0.5
- note2) Unit is mm
- note3) Take care in set design to hide the scratches and bubbles appeared on the polarizer or other frame area which is located outside of active area.

Since this module is under development, all the specified value is tentative. The technical literature is subject to change without notice.

Please do not copy this material and do not disclose this to third party.	
DEVELOPMENT ENGINEERING DEPT. ?	
TFT DIVISION 1	
TFT LIQUID CRYSTAL DISPLAY GROUP	
SHARP CO., LTD.	
DRAWING No LCM-01021D	DATE 2001.12.11

Fig.1 Outline dimensions of TFT-LCD module

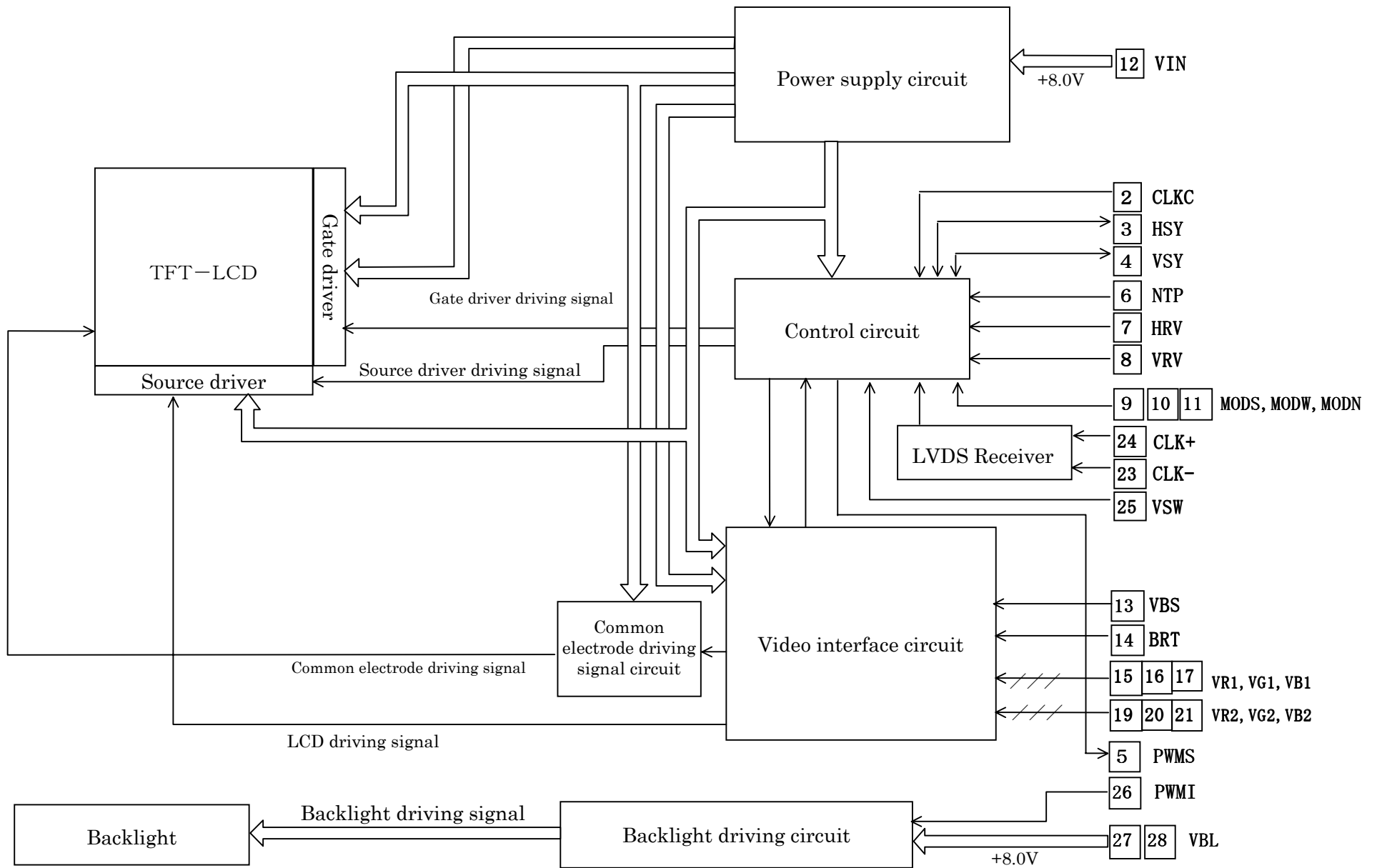


Fig.2 Circuit block diagram of the module

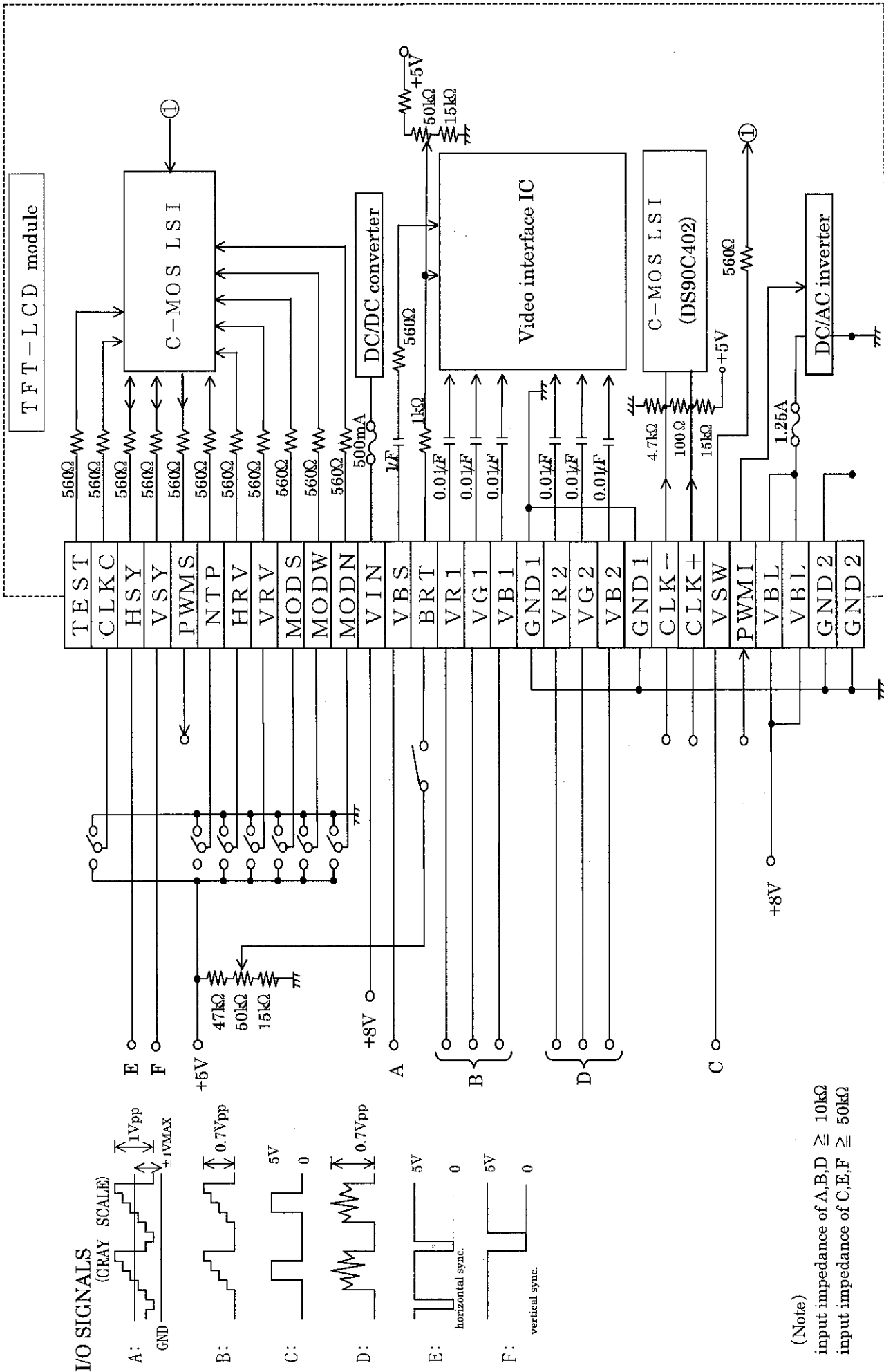


Fig.3 Recommended circuit of TFT-LCD module

(Note)
input impedance of A,B,D ≥ 10kΩ
input impedance of C,E,F ≥ 50kΩ

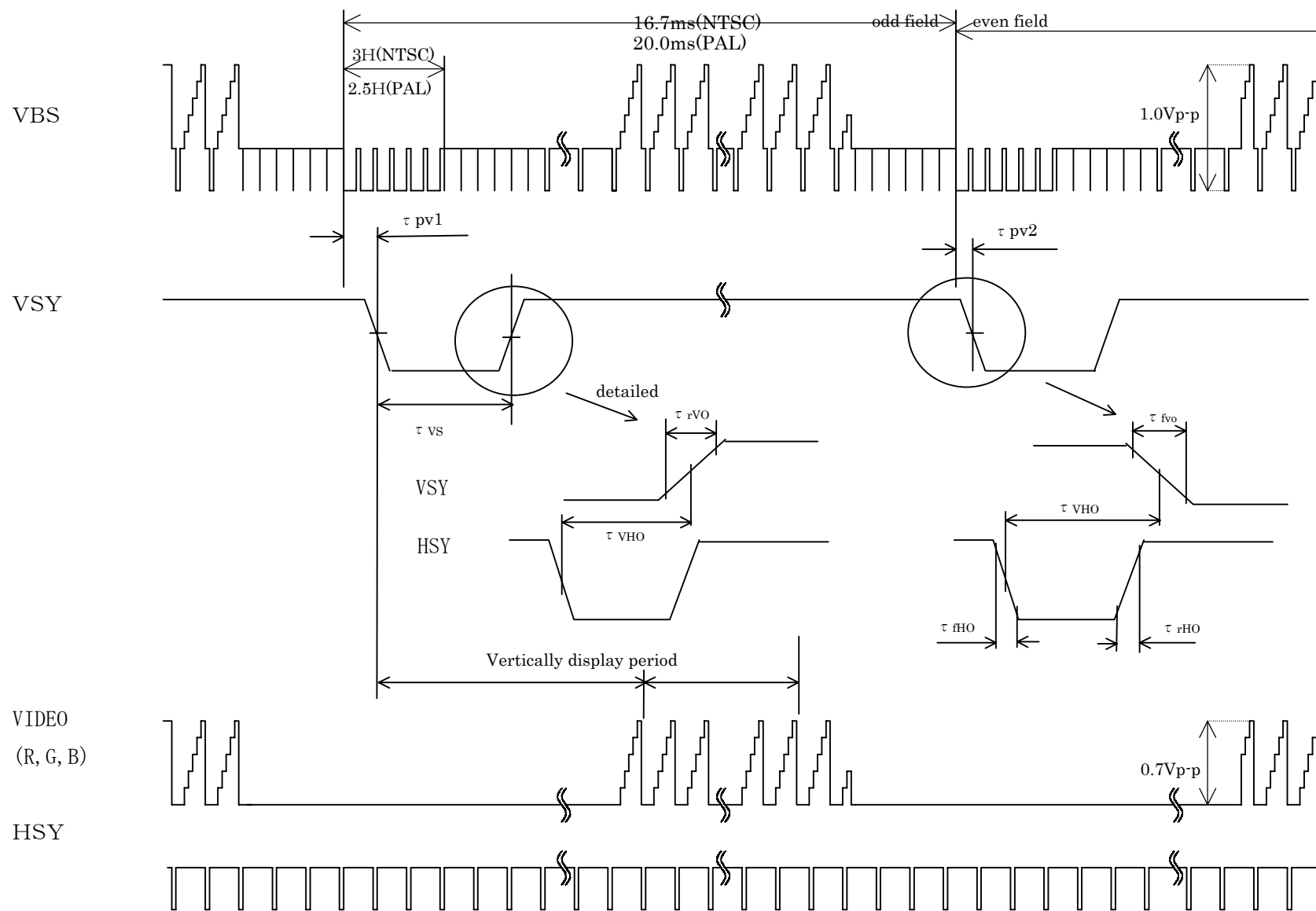


Fig.4-A Input / Output signal waveforms (CLKC=" Hi")

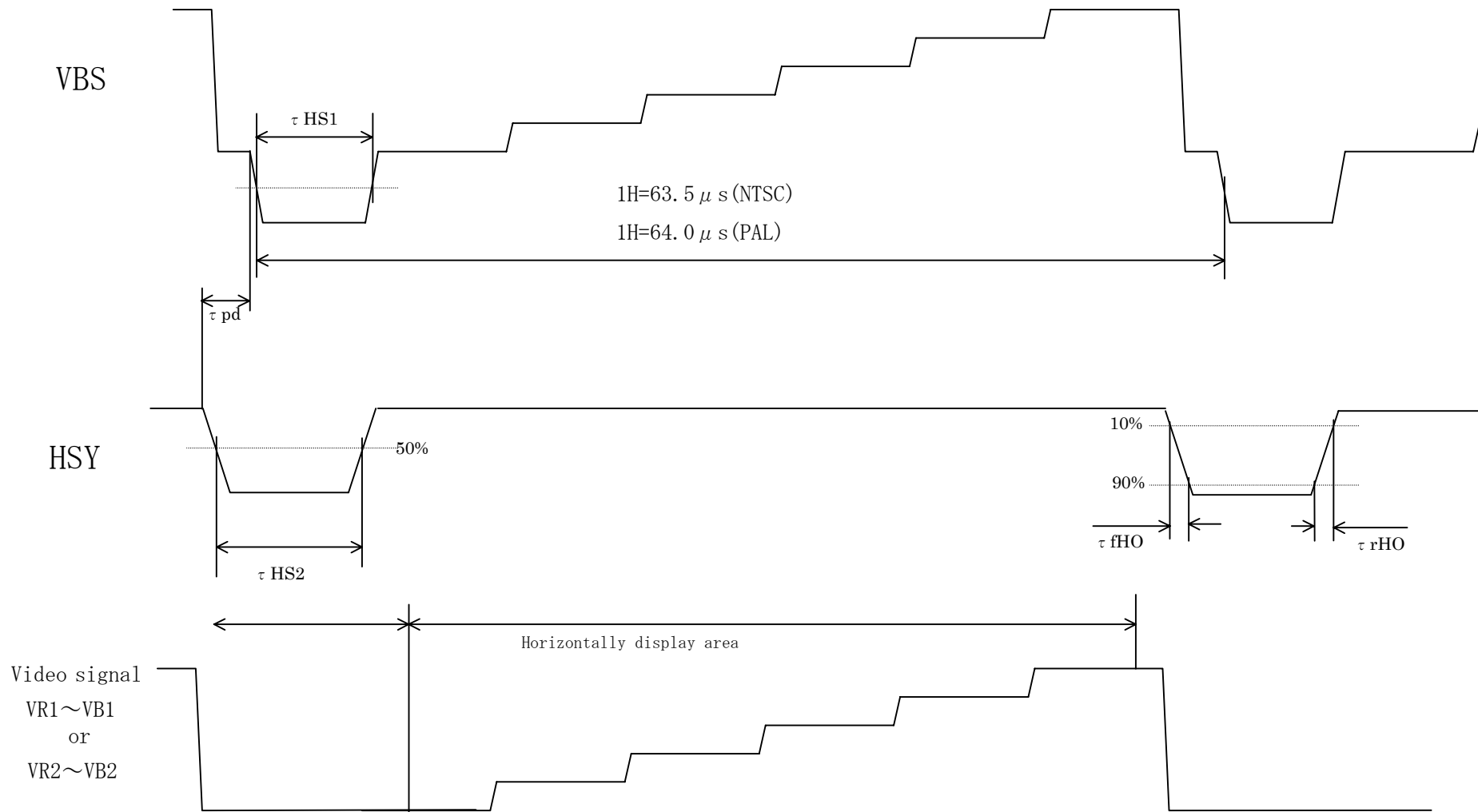


Fig.4-B Input/Output signal waveforms (CLKC=" Hi")

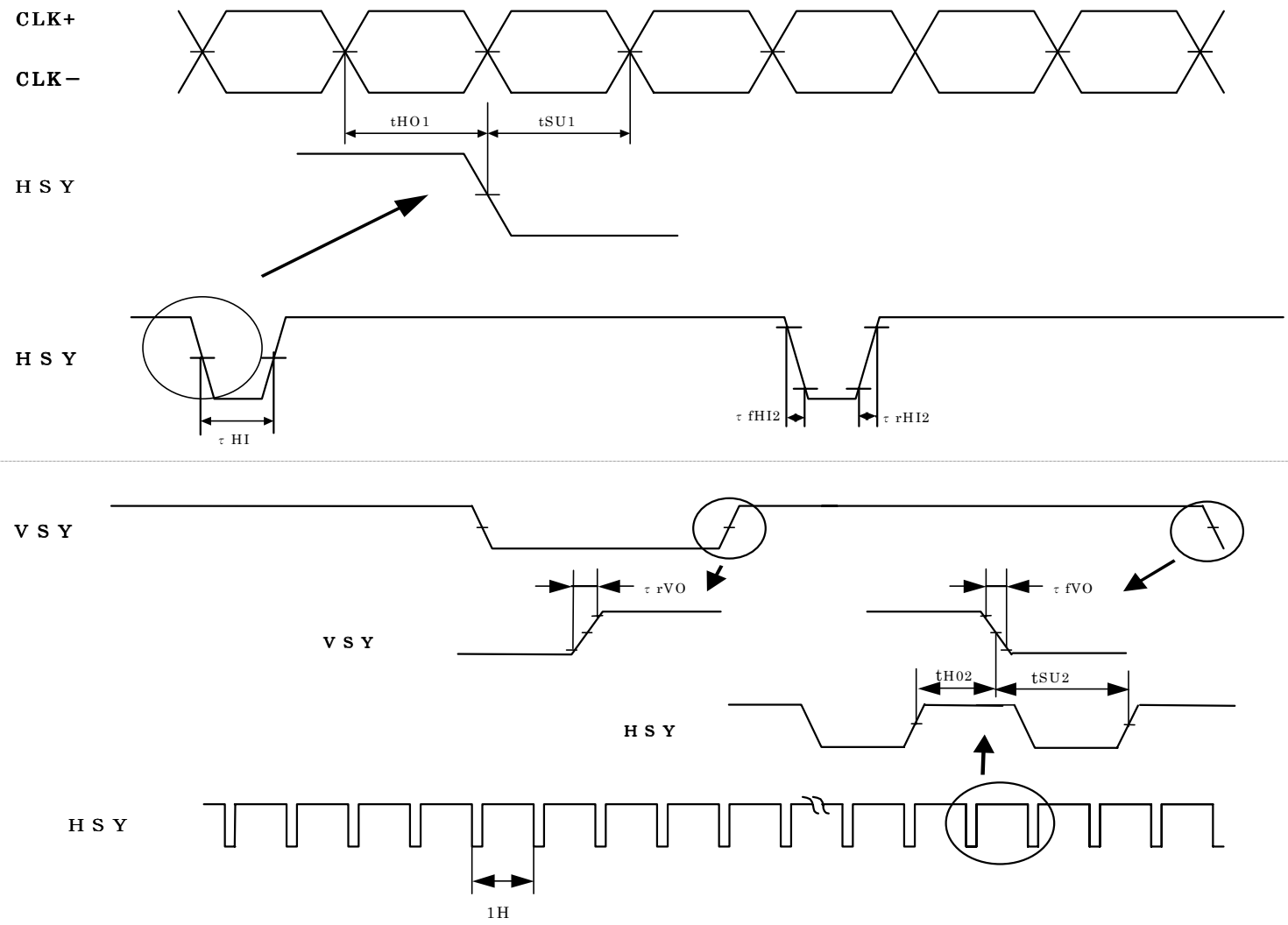


Fig. 4-C Input/Output signal waveforms (external clock mode NTP="Hi", CLKC="Lo")

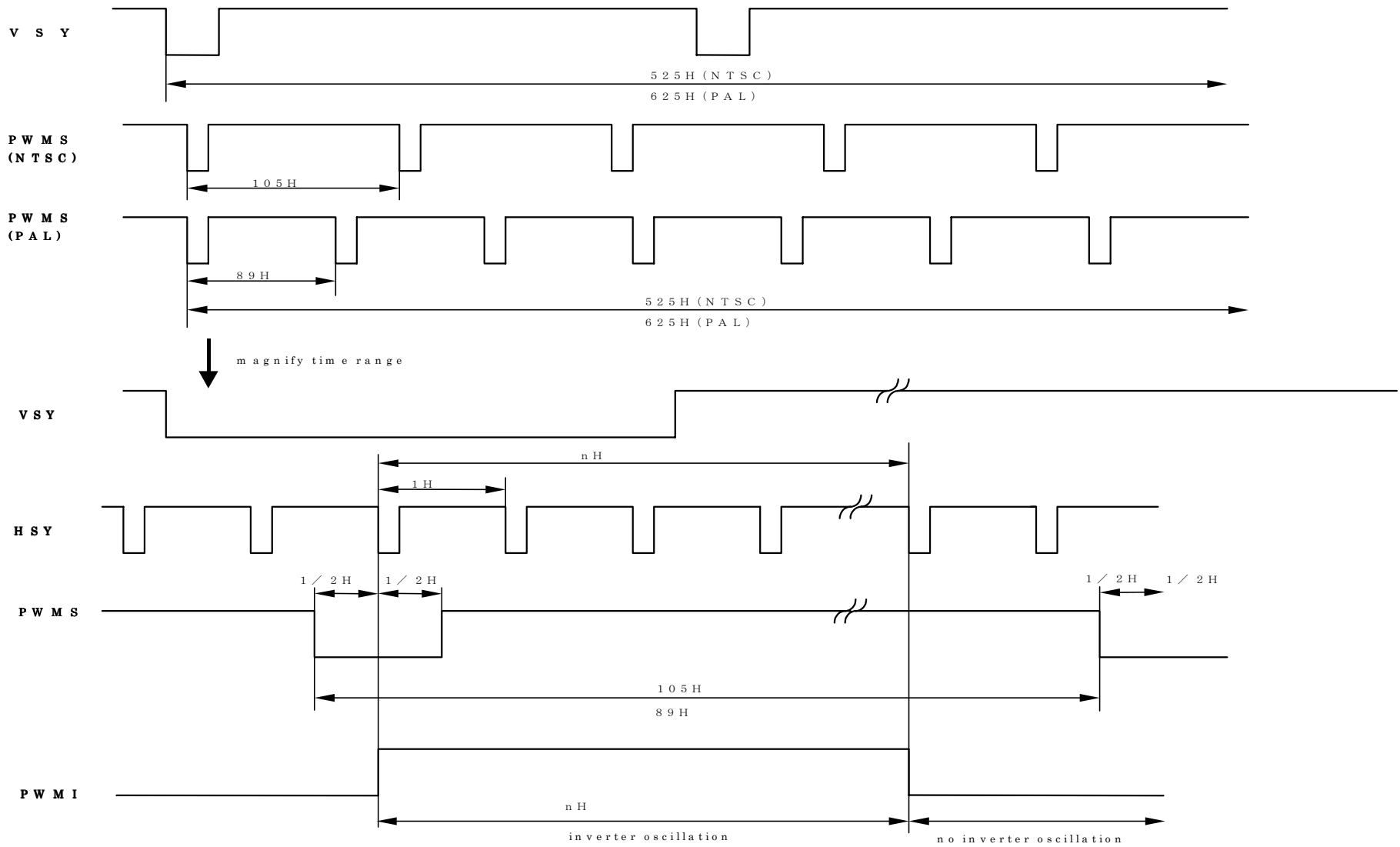


Fig. 4-D PWM dimming timing

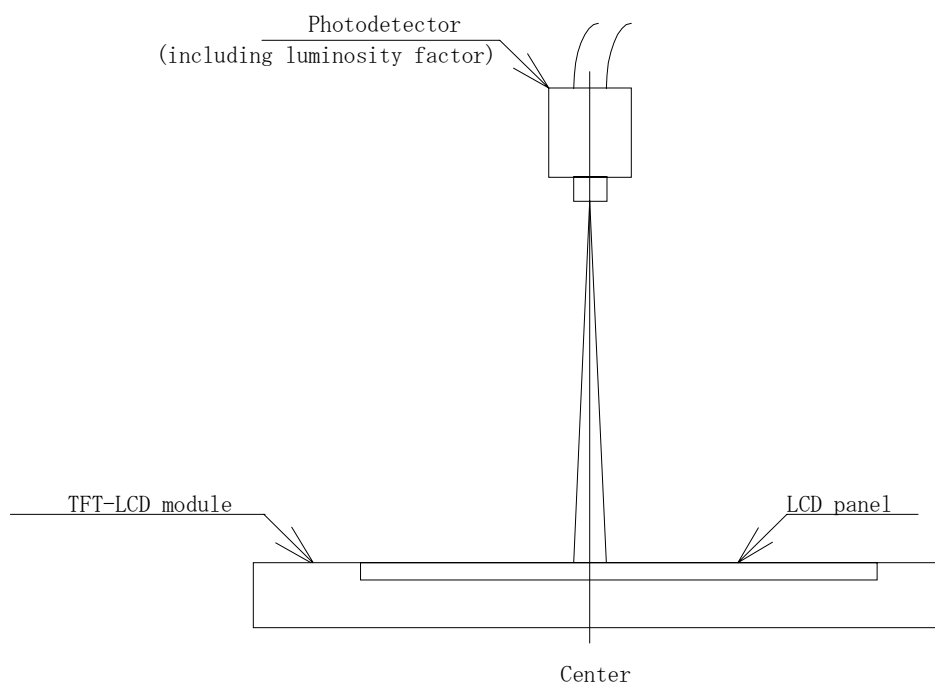


Fig. 5 Measuring method of optical characteristics

【Reference】

Clock and Video signal timing

[Input Condition]

DotClock frequency	f CLK = 8.0MHz
Hsyn. frequency	fH = 15.748kHz
Vsyn. Frequency	fV = 60.107Hz
Video Signal	Cross-Hatching (To show white lines every 24 dots with the background display of Balck) Amplitude = 0.7Vpp TVr=TVf=17ns TVH=125ns

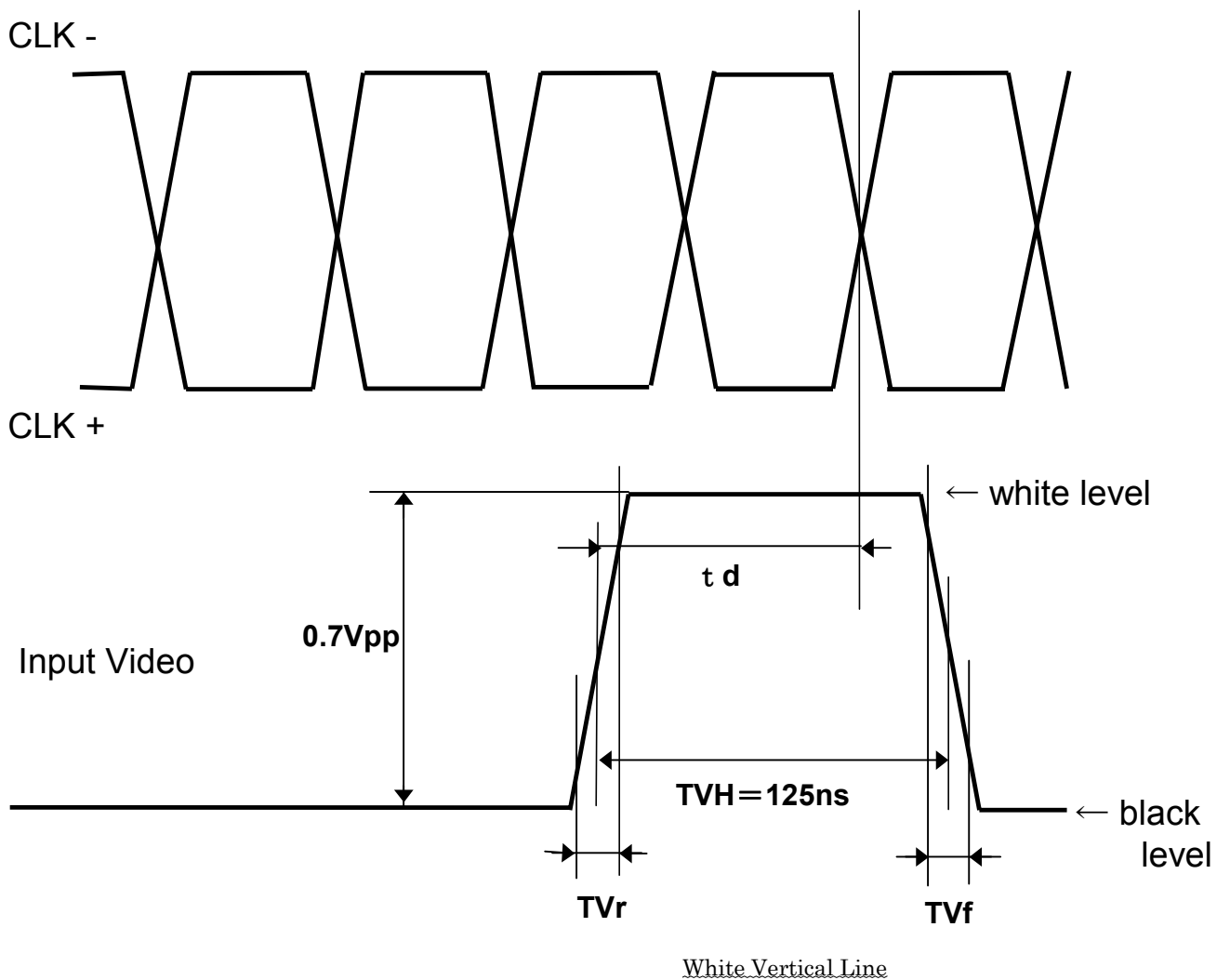


Fig.6 Clock and Video signal timing

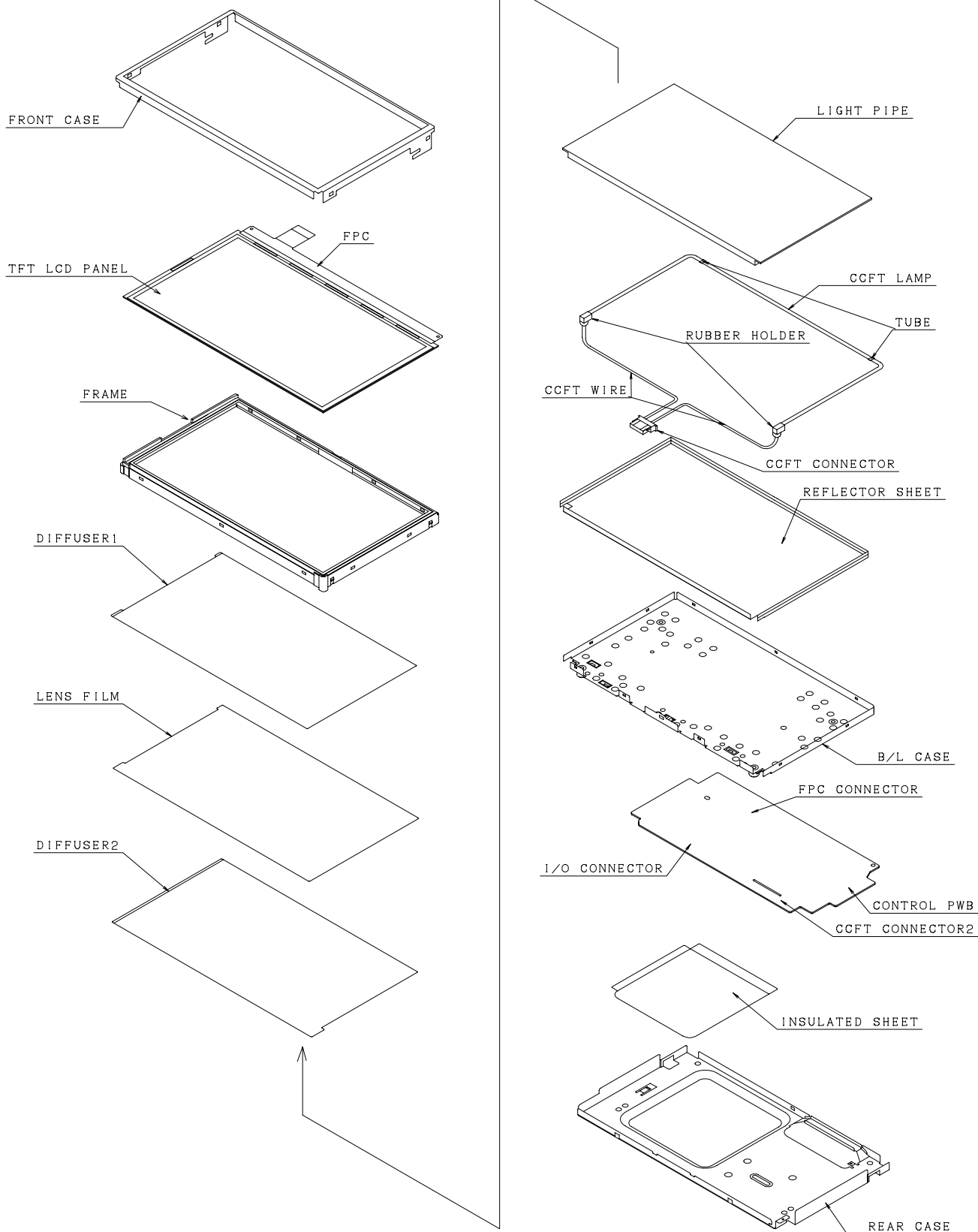


Fig.7 Construction of TFT-LCD module

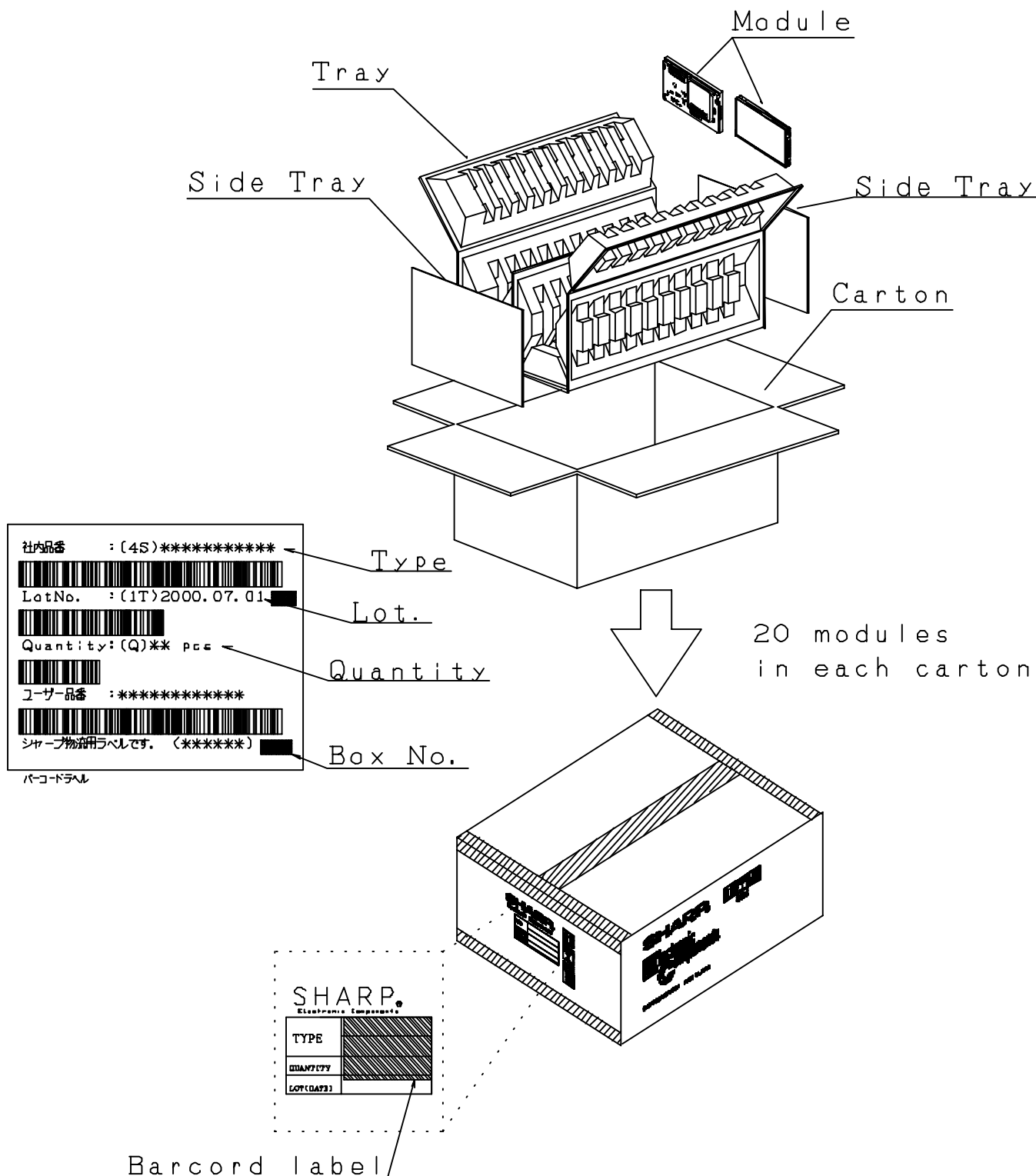


Fig.8 Packing form

SPECIFICATIONS ARE SUBJECT TO CHANGE WITHOUT NOTICE.

Suggested applications (if any) are for standard use; See Important Restrictions for limitations on special applications. See Limited Warranty for SHARP's product warranty. The Limited Warranty is in lieu, and exclusive of, all other warranties, express or implied. ALL EXPRESS AND IMPLIED WARRANTIES, INCLUDING THE WARRANTIES OF MERCHANTABILITY, FITNESS FOR USE AND FITNESS FOR A PARTICULAR PURPOSE, ARE SPECIFICALLY EXCLUDED. In no event will SHARP be liable, or in any way responsible, for any incidental or consequential economic or property damage.

SHARP®

NORTH AMERICA

SHARP Microelectronics of the Americas
5700 NW Pacific Rim Blvd.
Camas, WA 98607, U.S.A.
Phone: (1) 360-834-2500
Fax: (1) 360-834-8903
Fast Info: (1) 800-833-9437
www.sharpsma.com

EUROPE

SHARP Microelectronics Europe
Division of Sharp Electronics (Europe) GmbH
Sonninstrasse 3
20097 Hamburg, Germany
Phone: (49) 40-2376-2286
Fax: (49) 40-2376-2232
www.sharpsme.com

JAPAN

SHARP Corporation
Electronic Components & Devices
22-22 Nagaike-cho, Abeno-Ku
Osaka 545-8522, Japan
Phone: (81) 6-6621-1221
Fax: (81) 6117-725300/6117-725301
www.sharp-world.com

TAIWAN

SHARP Electronic Components
(Taiwan) Corporation
8F-A, No. 16, Sec. 4, Nanking E. Rd.
Taipei, Taiwan, Republic of China
Phone: (886) 2-2577-7341
Fax: (886) 2-2577-7326/2-2577-7328

SINGAPORE

SHARP Electronics (Singapore) PTE., Ltd.
438A, Alexandra Road, #05-01/02
Alexandra Technopark,
Singapore 119967
Phone: (65) 271-3566
Fax: (65) 271-3855

KOREA

SHARP Electronic Components
(Korea) Corporation
RM 501 Geosung B/D, 541
Dohwa-dong, Mapo-ku
Seoul 121-701, Korea
Phone: (82) 2-711-5813 ~ 8
Fax: (82) 2-711-5819

CHINA

SHARP Microelectronics of China
(Shanghai) Co., Ltd.
28 Xin Jin Qiao Road King Tower 16F
Pudong Shanghai, 201206 P.R. China
Phone: (86) 21-5854-7710/21-5834-6056
Fax: (86) 21-5854-4340/21-5834-6057

Head Office:

No. 360, Bashen Road,
Xin Development Bldg. 22
Waigaoqiao Free Trade Zone Shanghai
200131 P.R. China
Email: smc@china.global.sharp.co.jp

HONG KONG

SHARP-ROXY (Hong Kong) Ltd.
3rd Business Division,
17/F, Admiralty Centre, Tower 1
18 Harcourt Road, Hong Kong
Phone: (852) 28229311
Fax: (852) 28660779
www.sharp.com.hk

Shenzhen Representative Office:

Room 13B1, Tower C,
Electronics Science & Technology Building
Shen Nan Zhong Road
Shenzhen, P.R. China
Phone: (86) 755-3273731
Fax: (86) 755-3273735